

EMERGENCY STOP SAFETY DEVICE



TECHNICAL DOCUMENT

INSTALLATION, DESIGN, SETTING INSTRUCTION AND TECHNICAL DOCUMENTATION

PLEASE VISIT OUR YOUTUBE CHANEL OR WEBSITE
FOR MORE INFORMATION





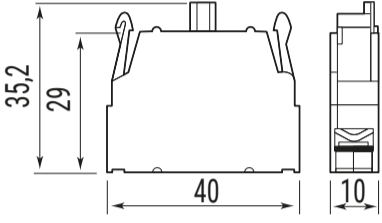


FOR MORE INFORMATION

www.safe-t-products.com.au



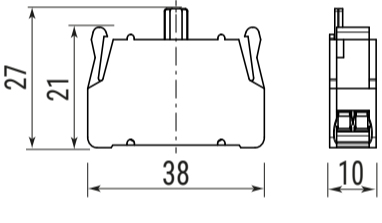




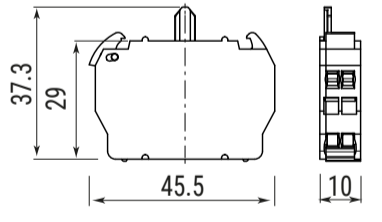


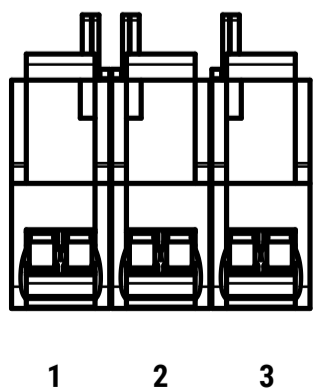
CONTACT BLOCKS

CONTACT BLOCK SCREW TERMINAL

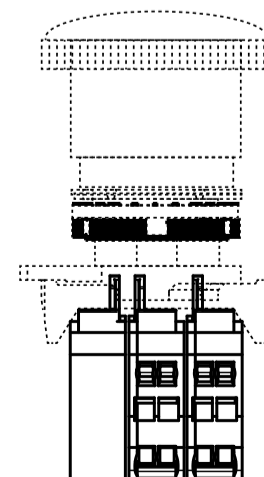
DESIGNATION	FUNCTION	DIMENSIONS	CODE
 NC 1 ——— 2	 0 1,5 6 mm		PB-CB-NC
 NO 3 ——— 4	 0 3,5 6 mm		PB-CB-NO

CONTACT BLOCK SPRING TERMINAL

DESIGNATION	FUNCTION	DIMENSIONS	CODE
 NC 1 ——— 2	 0 1,5 6 mm		PB-CB-NCS
 NO 3 ——— 4	 0 3,5 6 mm		PB-CB-NOS
 FAIL SAFE SAFETY CONTACT 1 ——— 2	 0 3,5 8.3 mm 1.2		ES-CB-NCSCS



CONTACT BLOCK ORIENTATION



FAIL SAFE CONTACT BLOCK ORIENTATION

ELECTRICAL AND MECHANICAL DATA (ES-CB-NCSCS)

Button IP 66/69k

B10d 3,000 000 operations MTTFd = 35 Years (High)

"Data Supplied by Giovenzana"

STANDARD CONFORMITY		UL - IMQ - CCC - EAC - R.I.NA - AS/NZS
Material Group	EN60947-1	II
Pollution Grade	EN60947-1	3
Flammability	UL94	VO: live parts
Ambient Temperature	°C	Operating: -25 +70
°C		Storage: -30 +70
Climate Protection	IEC68 part 2-3	Hot damp
69		Unsettled Hot damp

Contact type		NO-NC-NO	self-monitored contact
Operating force			4N
Connections	terminal type		Spring
Connectable section	flexible conductors	1 or 2	1 ... 2.5 mm ²
	flexible conductors	1 or 2	1 ... 2.5 mm ²
	wire peeling length		8 mm
Contacts			slow action, double breaking
Electrical lifetime	AC-15	1A 2A 3A	1.5 million cycles 0.5 million cycles 0.25 million cycles
Marking			CE, IMQ, RINA, EAC, CCC, UL, UKCA

EN 60947-5-1 characteristics

Rated insulation voltage	Ui	690 V *
Rated impulse withstand voltage	Uimp	4 kV *
Rated thermal current	Ith	16 A *
Rated enclosed thermal current	Ithe	10 A
Frequency		50/60 Hz

Rated operating current (Ie)

AC-15	4.5 A	400 V	DC-13	0.25A	220V
-------	-------	-------	-------	-------	------

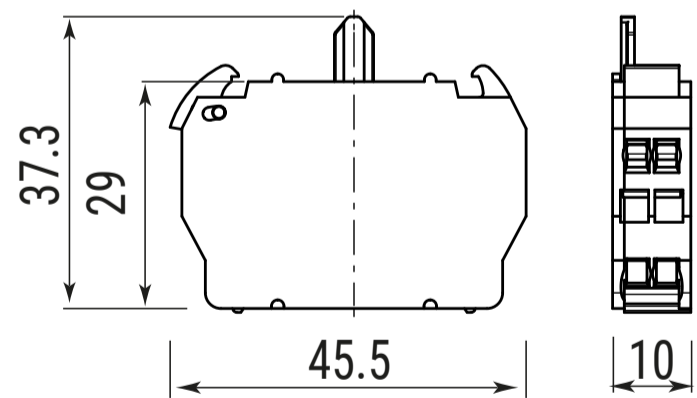
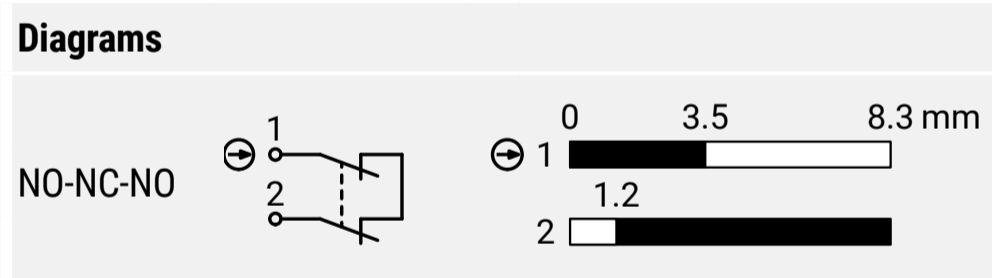
Short circuit characteristics

Conditional rated short circuit withstand current		1000 A *
Fuse rating (type gG)	500 V	10 A *
Contact insulation resistance		≤ 25 mΩ

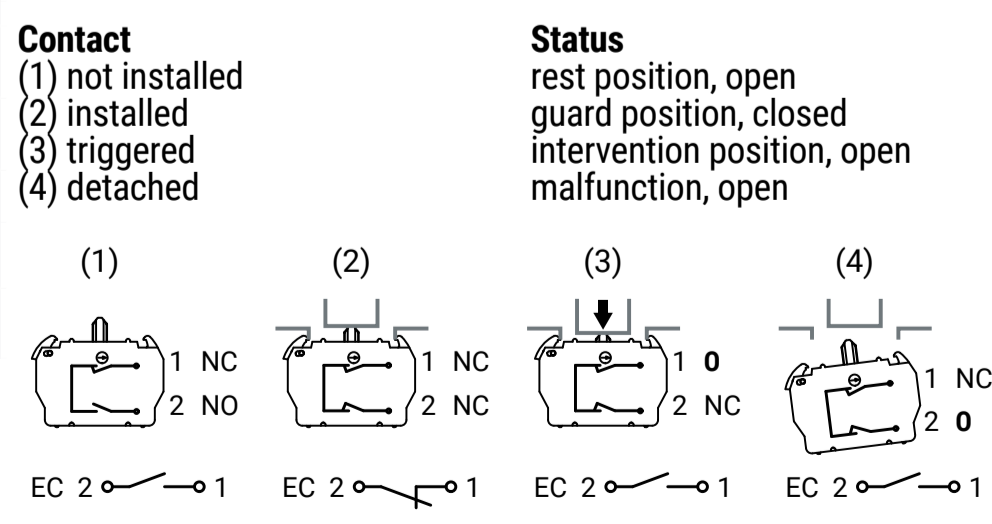
UL 508 characteristics

Rated insulation voltage	Ui	10 A 2.5 A	600 V AC 125 V DC
Rated impulse withstand voltage	Uimp	A600	Q600

* IMQ approved values



Dimensions in mm/illustrations NOT in scale



EC = equivalent circuit

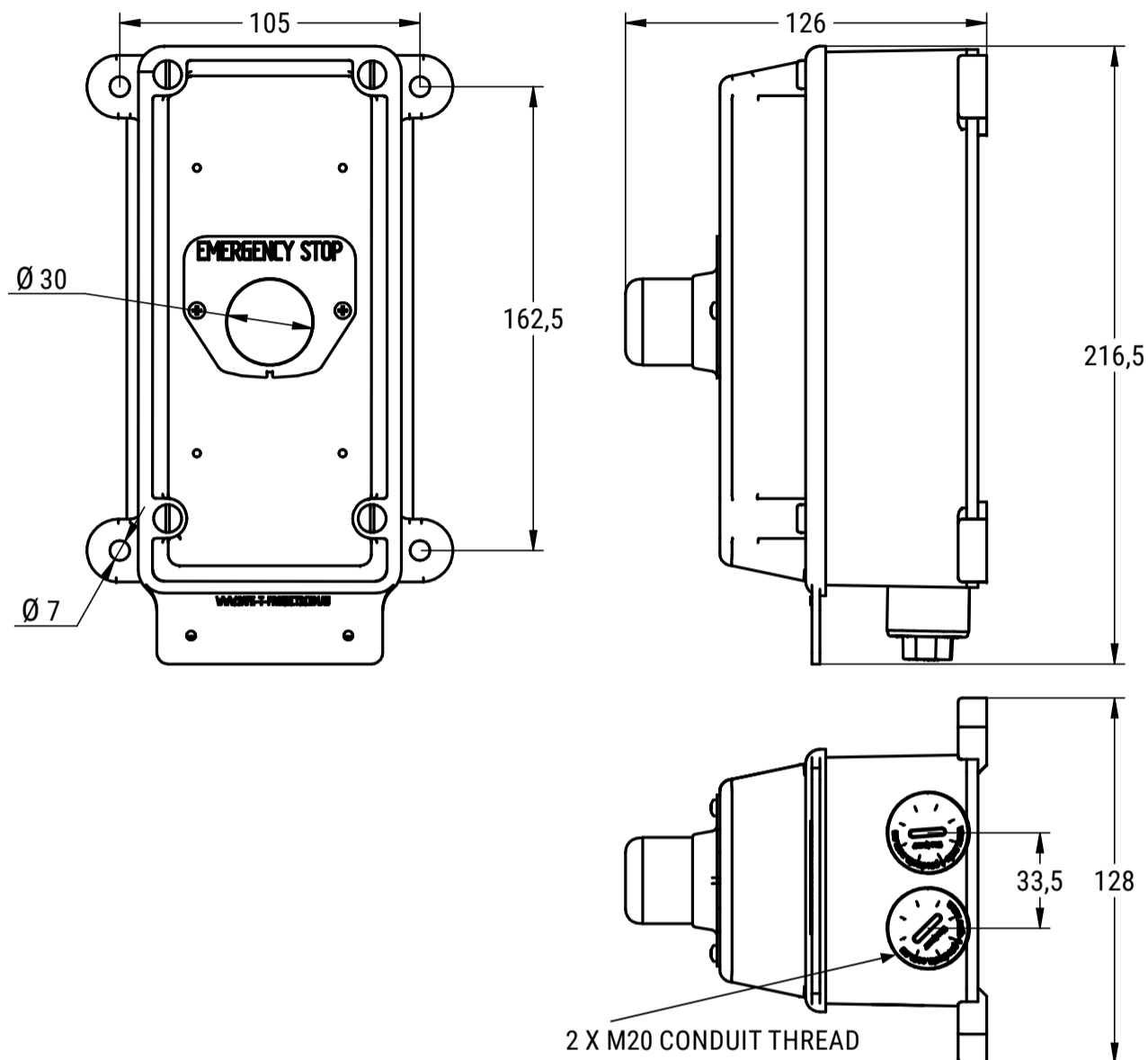
TECHNICAL DATA/ELECTRICAL CHARACTERISTICS

AS/NZS IEC	*IMQ VALUES	SCREW TERMINAL								SPRING TERMINAL							
EC/EN 60947-5-1 CHARACTERISTICS		PBS-CB-NC / PBS-CB-NO								PBS-CB-NCS / PBS-CB-NOS							
Rated insulation voltage Ui	V	690*								690*							
Rated impulse withstand voltage Uimp	kV	4*								4*							
Operating frequency	Hz	50/60*								50/60*							
Rated thermal current Ith	A	16*								16*							
Rated thermal current in enclosed Ithe	A	10*								10*							
RATED OPERATING CURRENT IE:																	
AC-15	V	24	60	110	230	400	440	500	690	24	60	110	240	400	440	500	690
	A	16*	12	8	6	4,5	3,5	1*	1	16*	12	5	5*	4	4	4*	2*
DC-13	V	24	48	60	110	220				24	48	60	110	220			
	A	2*	1,2	0,85	0,4	0,25*				2	2*	1*	0,4	0,4*			
Conditional short circuit withstand current	A	1000*								1000*							
Fuse rating gG	500V	10A*								10A*							
Contact insulation resistance	mΩ	<25								<25							
Switching mechanism		Slow break double gap contacts								Slow break double gap contacts							
Contact duty		⊕ NC contact with positive opening								⊕ NC contact with positive opening							
Minimum tripping force		4N								4N							
Electrical life AC15	mil. cycles	1A/1,5 - 2A/0,5 - 3A/0,25								1A/1,5 - 2A/0,5 - 3A/0,25							
UL 508 CHARACTERISTICS																	
General Use		10A-600V ac - 2,5A-125V dc								10A-600V ac - 2,5A-125V dc							
Heavy Duty (HD) category		A600-Q600								10A-600V ac - 2,5A-125V dc							

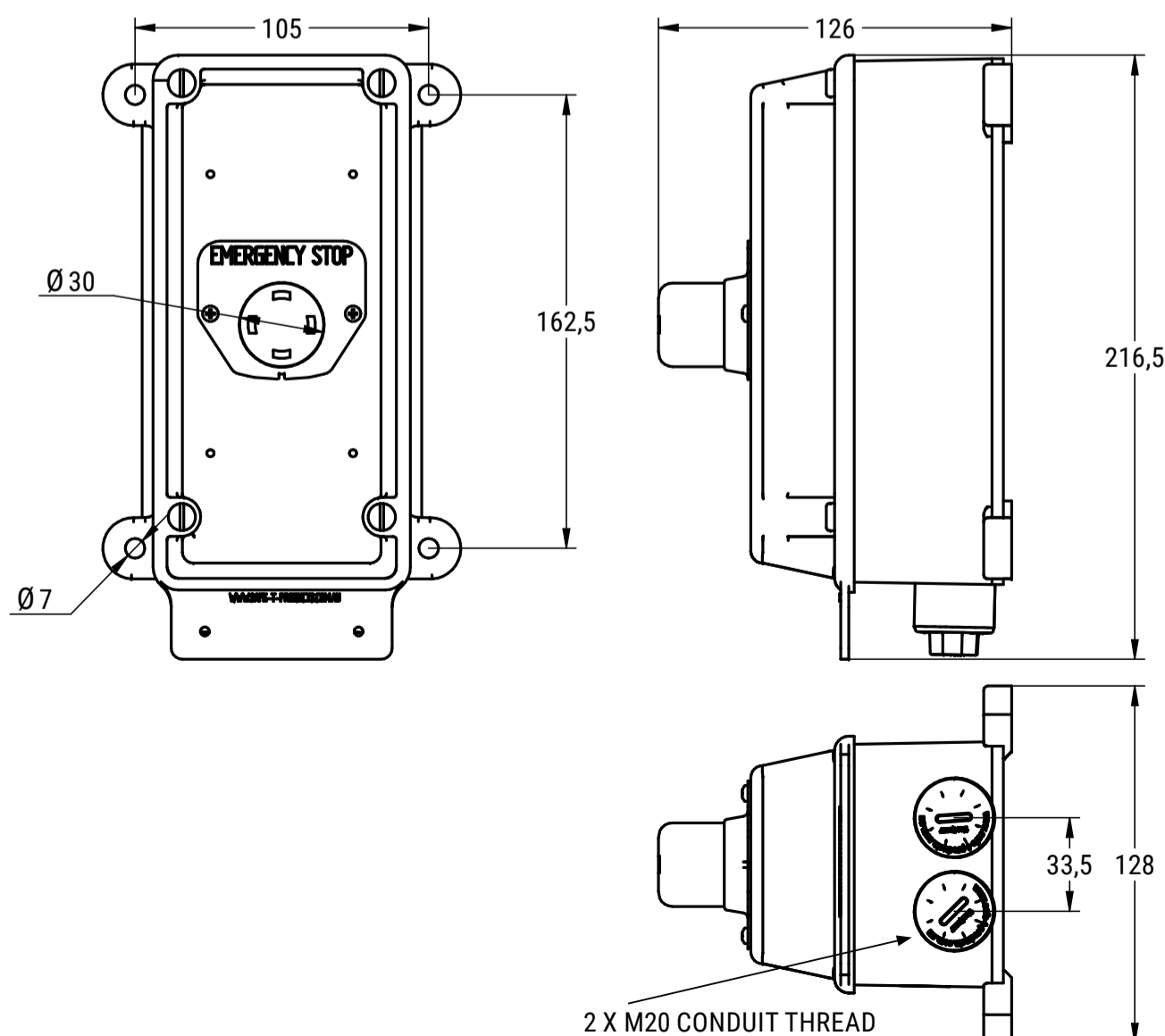
STANDARD CONFORMITY		UL - IMQ - CCC - EAC - R.I.NA - AS/NZS	
Approvals		EN60947-5-1, UL508	
Protection class mounted in PBS enclosure	EN 60529	IP66/67/69K IEC: Buttons and switches	
Conforms to UL50		Type 1	
EN 60529		IP20: Contacts	
		PBS-CB-NC/PBS-CB-NO/PBS-CB-NCS/PBS-CB-NOS	
Material Group	EN60947-1	II	
Pollution Grade	EN60947-1	3	
Flammability	UL94	VO: live parts	
Ambient Temperature	°C	Operating: -25 +70	
°C		Storage: -30 +70	
Climate Protection	IEC68 part 2-3	Hot damp	
IEC68 part 2-30		Unsettled Hot damp	
Terminals:			
Dimension		A2	
Terminal screw		M3,5	
Tightening torque		1,2 Nm - EN60947-1 - 12 lb.in. UL508	
Capacity:			
Solid and flexible conductors	Number of Cores 1 min/max mm ²	1/2,5 screw terminals	
	Number of Cores 2 min/max mm ²	1/2,5 screw terminals	
AWG		20-12 screw terminals	
Mechanical life:	mil./operations		
Push buttons with colour cap		3	
Standard rotary switches		1	

EMERGENCY STOP ENCLOSURES DIMENSIONS/BUTTON SIZE

DIMENSIONS-PC/PBT PLASTIC 30MM EMERGENCY STOP

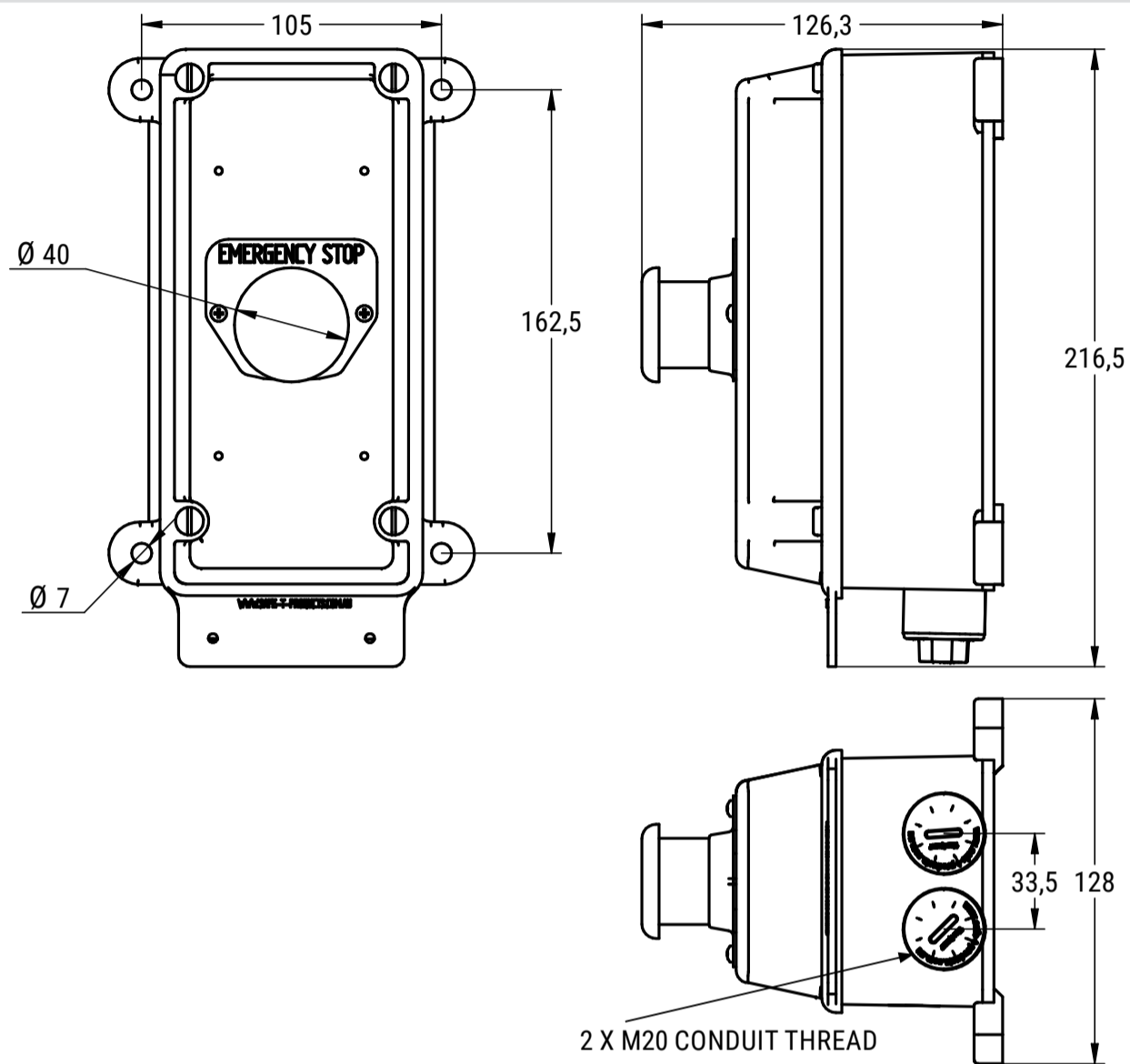


DIMENSIONS-PC/PBT PLASTIC 30MM INDICATOR EMERGENCY STOP

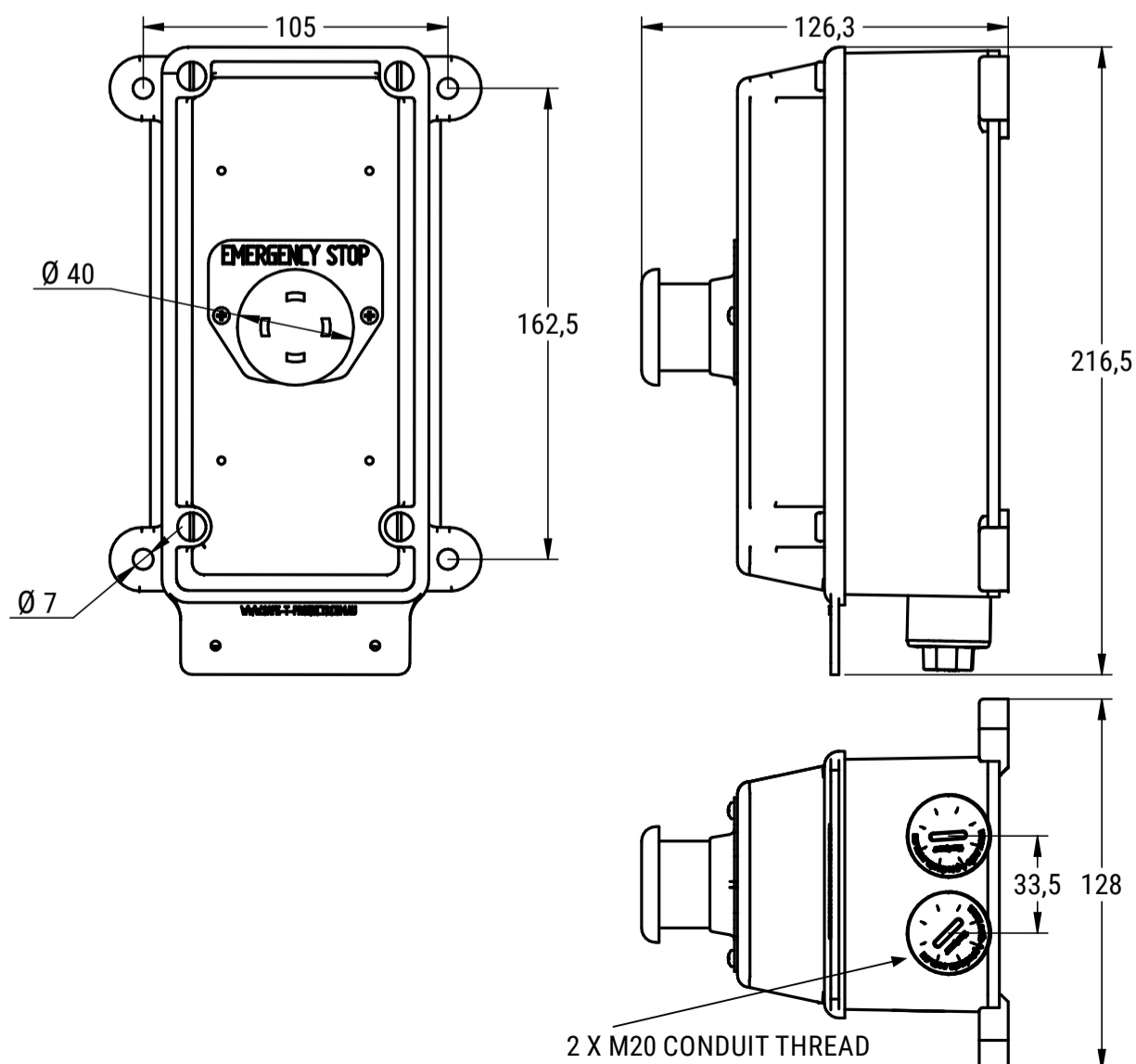


EMERGENCY STOP ENCLOSURES DIMENSIONS/BUTTON SIZE

DIMENSIONS-PC/PBT PLASTIC 40MM EMERGENCY STOP

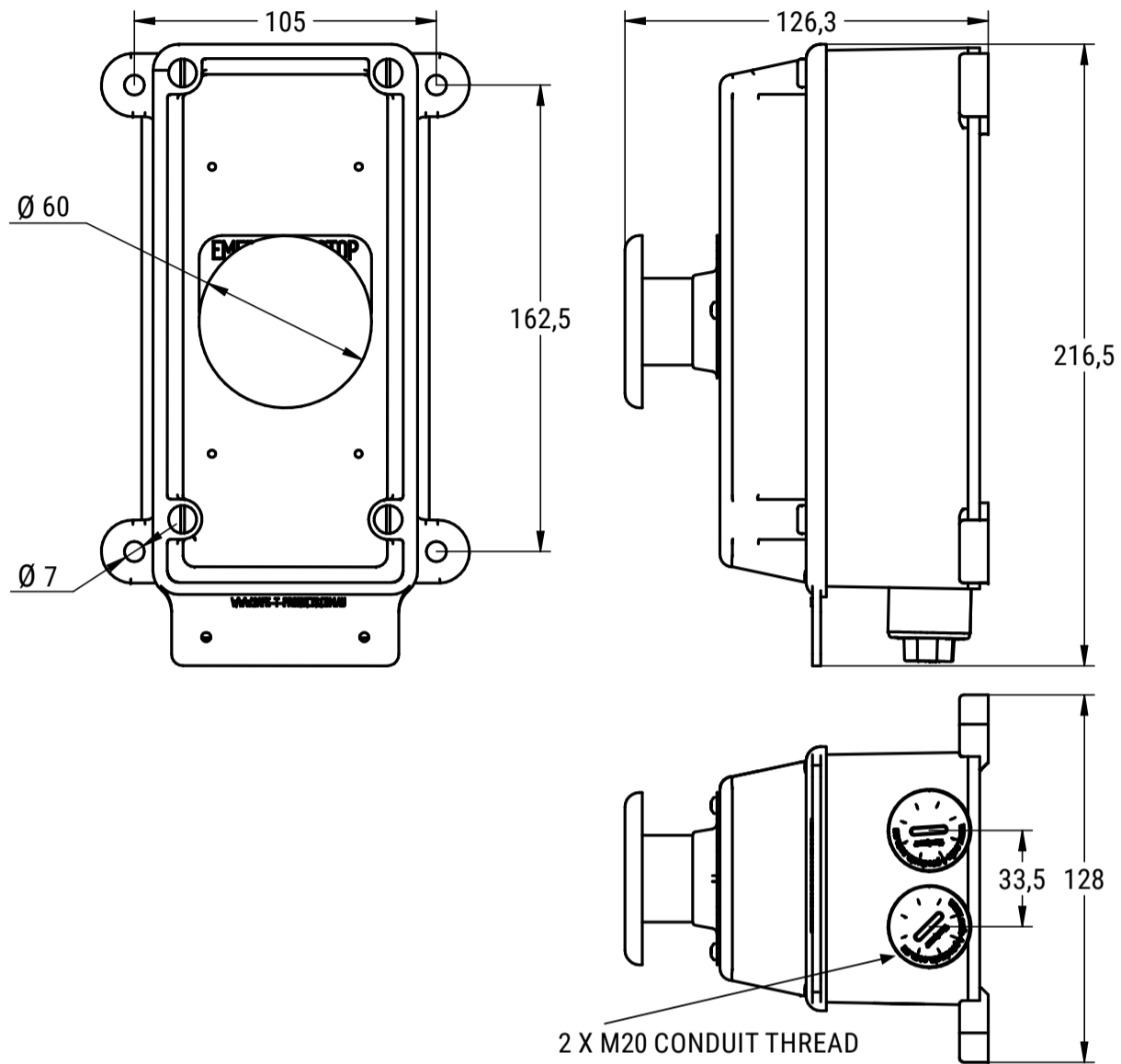


DIMENSIONS-PC/PBT PLASTIC 40MM INDICATOR EMERGENCY STOP

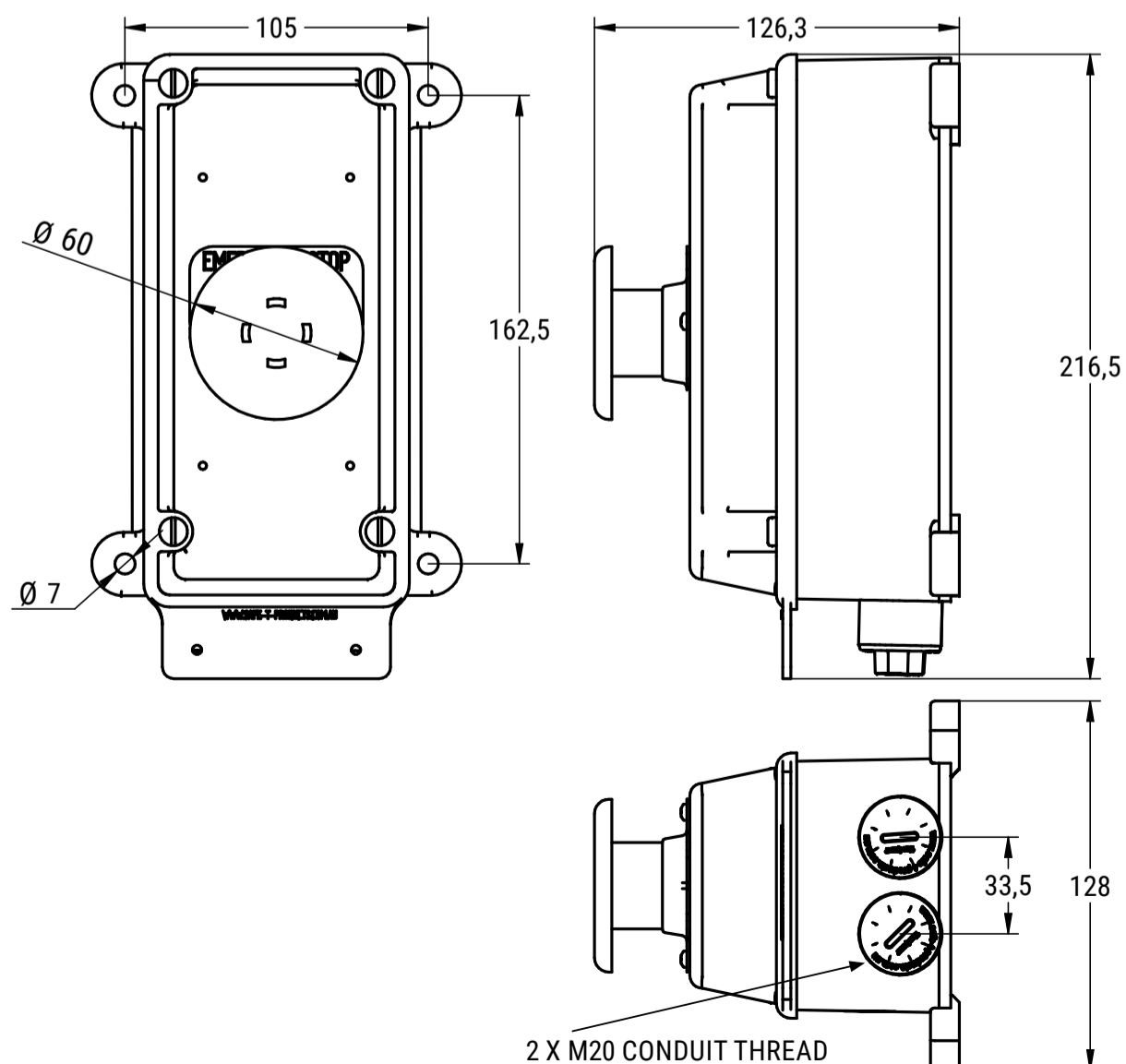


EMERGENCY STOP ENCLOSURES DIMENSIONS/BUTTON SIZE

DIMENSIONS-PC/PBT PLASTIC 60MM EMERGENCY STOP

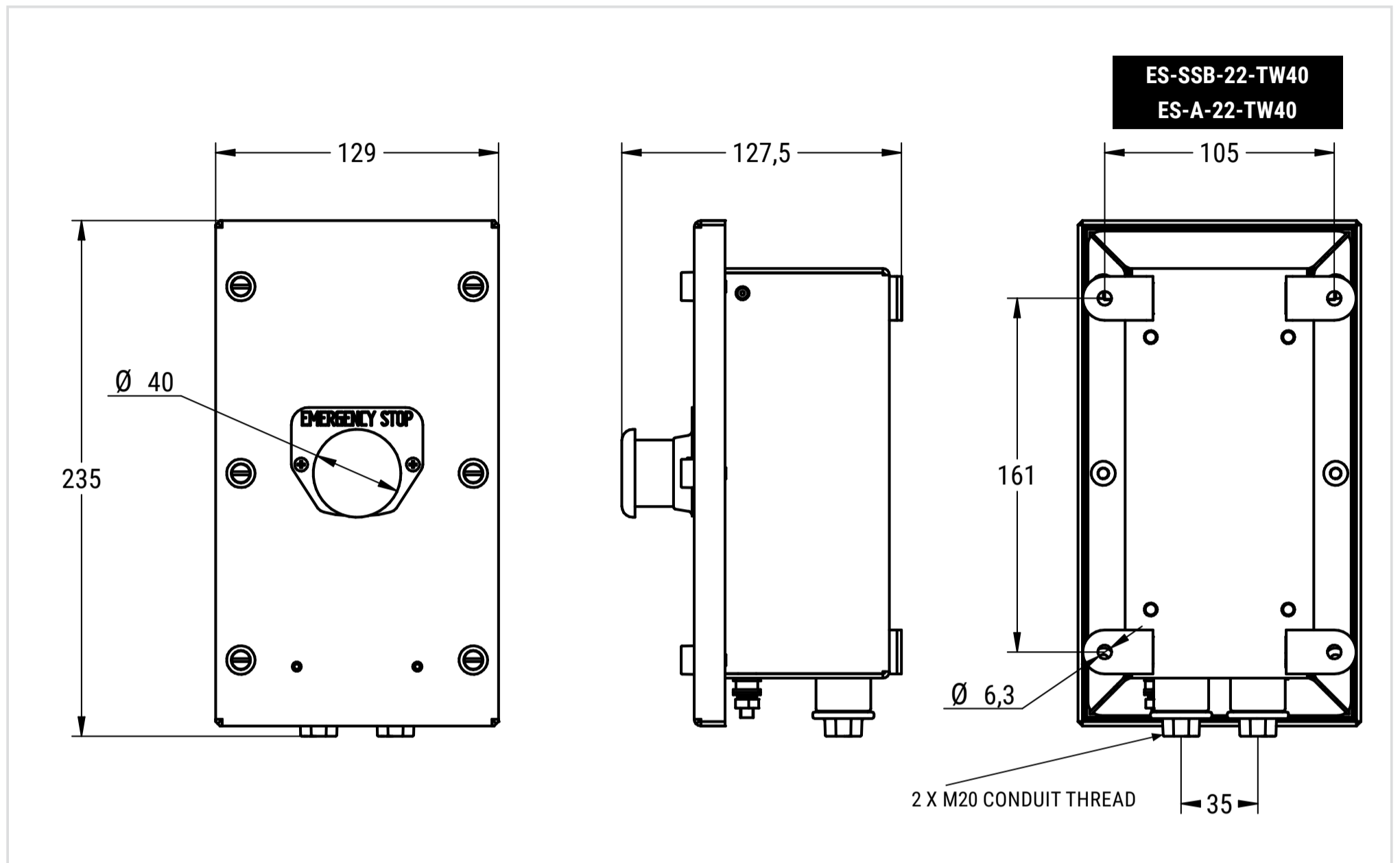


DIMENSIONS-PC/PBT PLASTIC 60MM INDICATOR EMERGENCY STOP

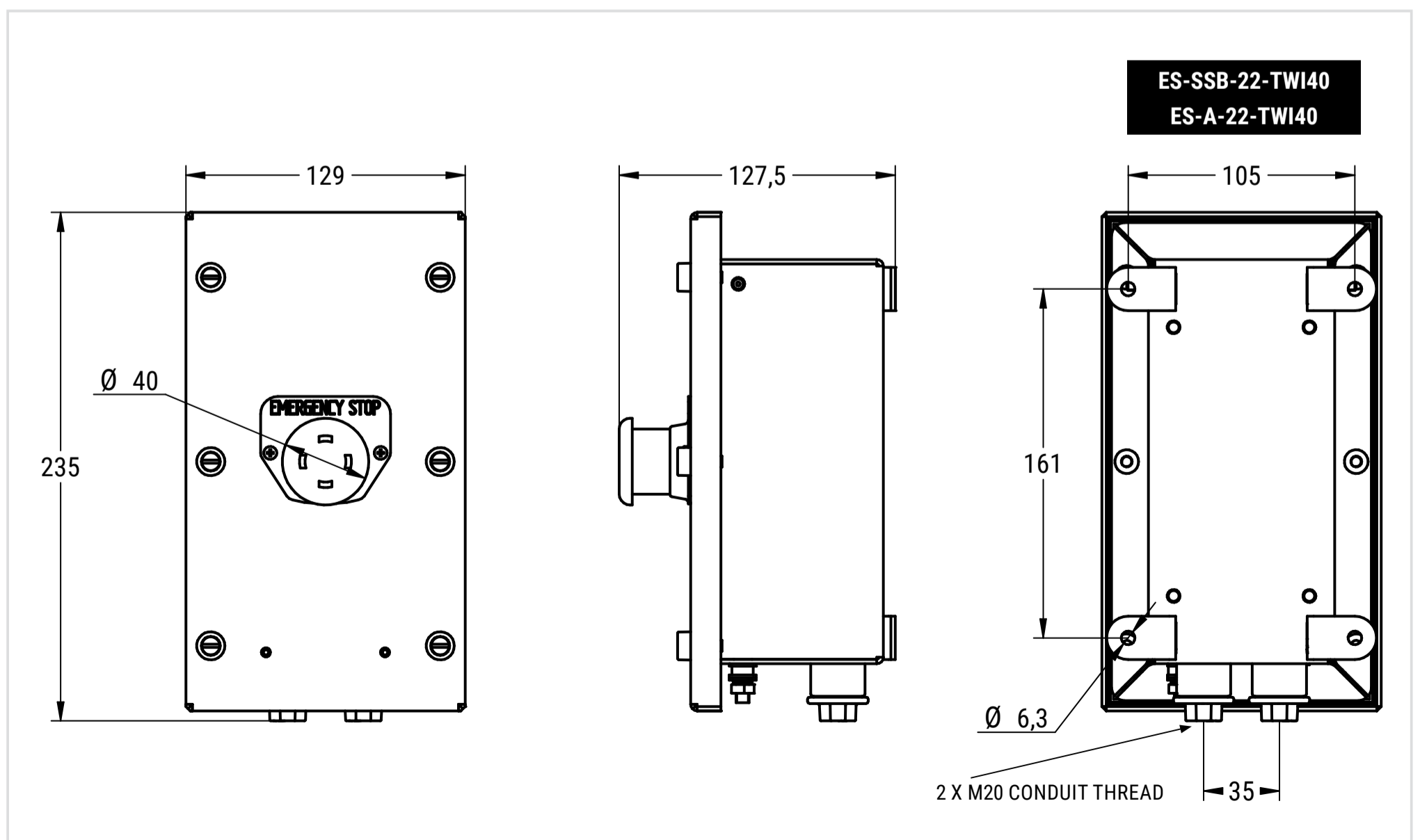


EMERGENCY STOP ENCLOSURES DIMENSIONS/BUTTON SIZE

DIMENSIONS-STAINLESS STEEL/ALUMINIUM 40MM EMERGENCY STOP

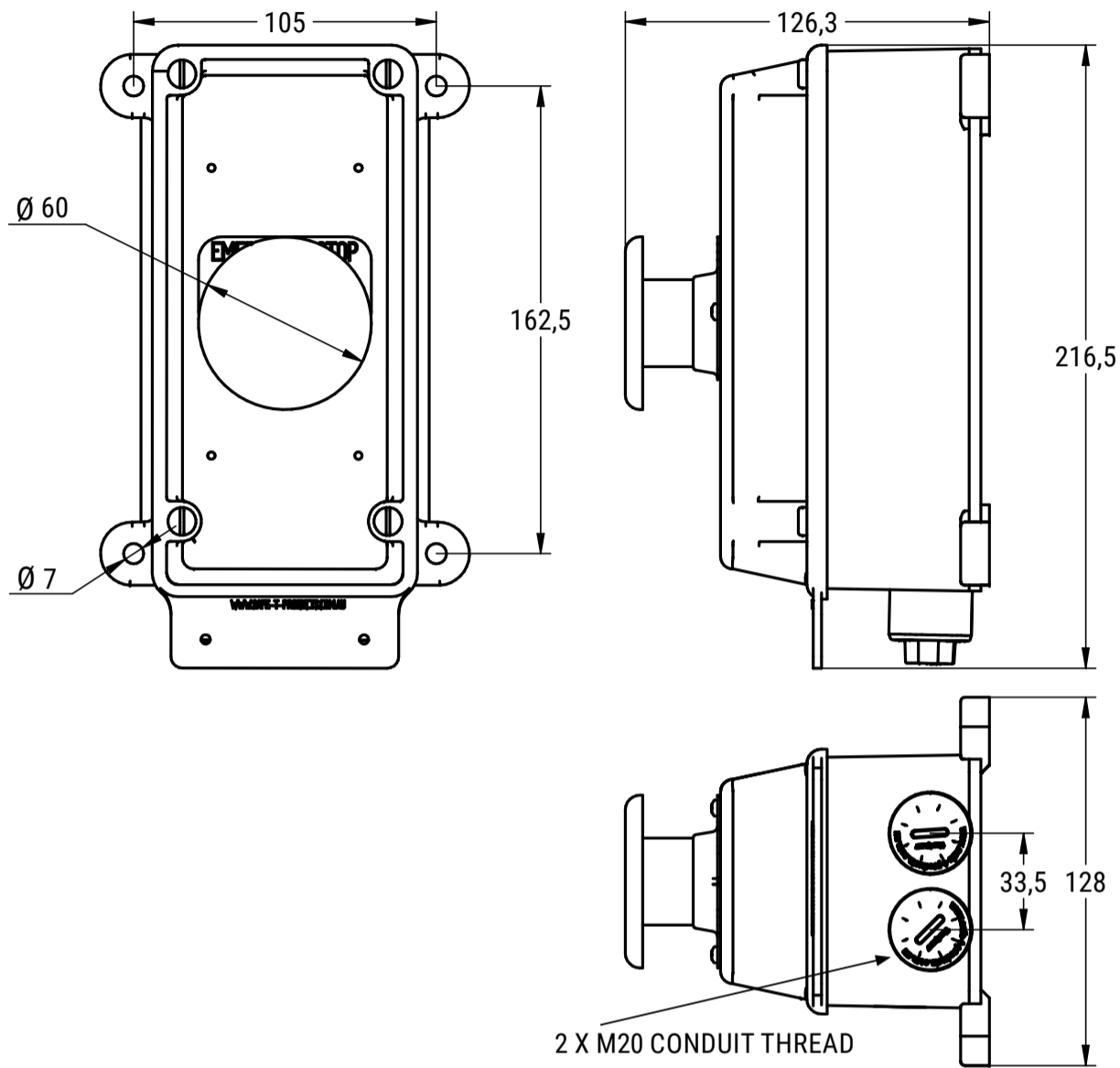


DIMENSIONS-STAINLESS STEEL/ALUMINIUM 40MM INDICATOR EMERGENCY STOP

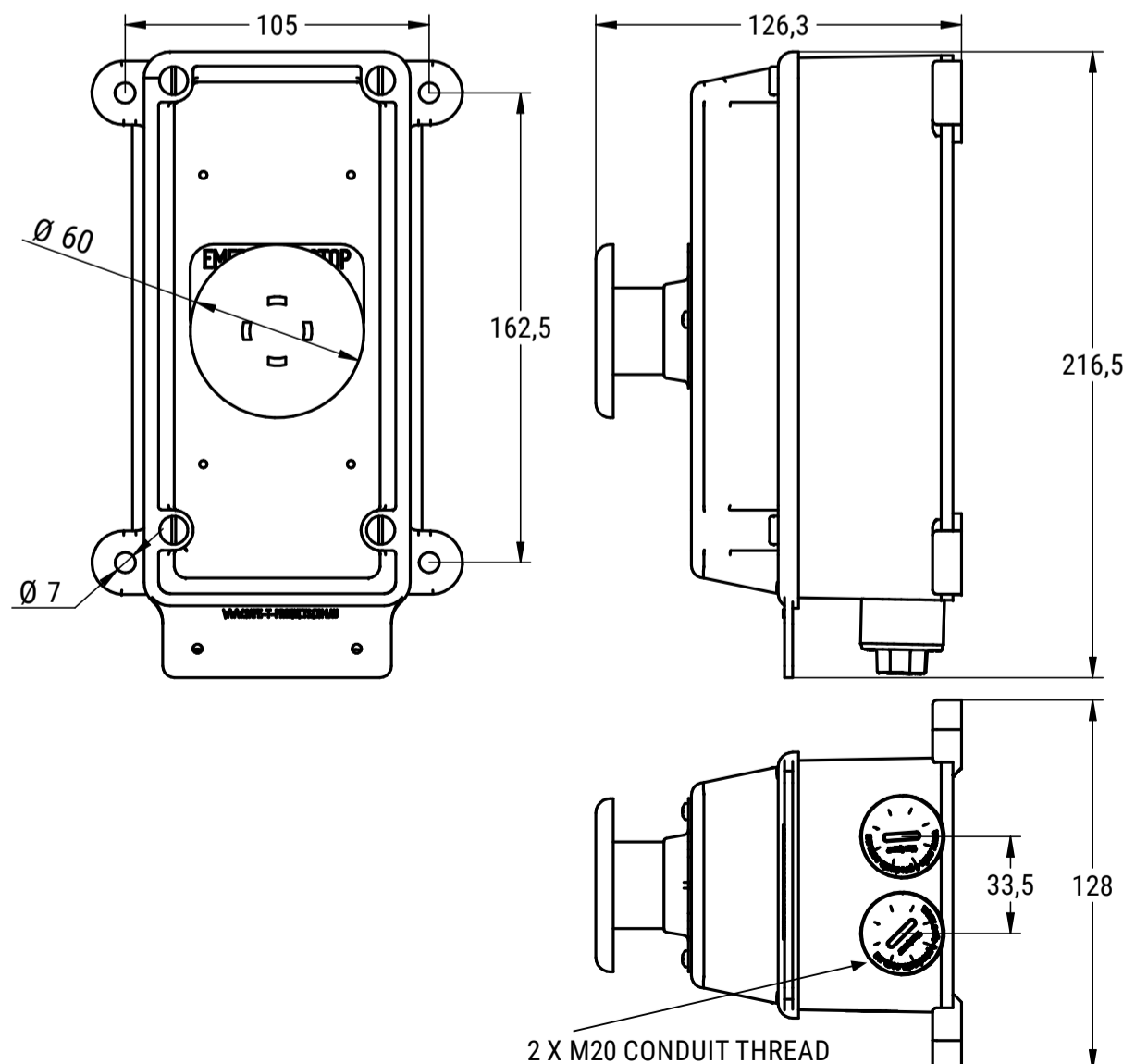


EMERGENCY STOP ENCLOSURES DIMENSIONS/BUTTON SIZE

DIMENSIONS-PC/PBT PLASTIC 60MM EMERGENCY STOP

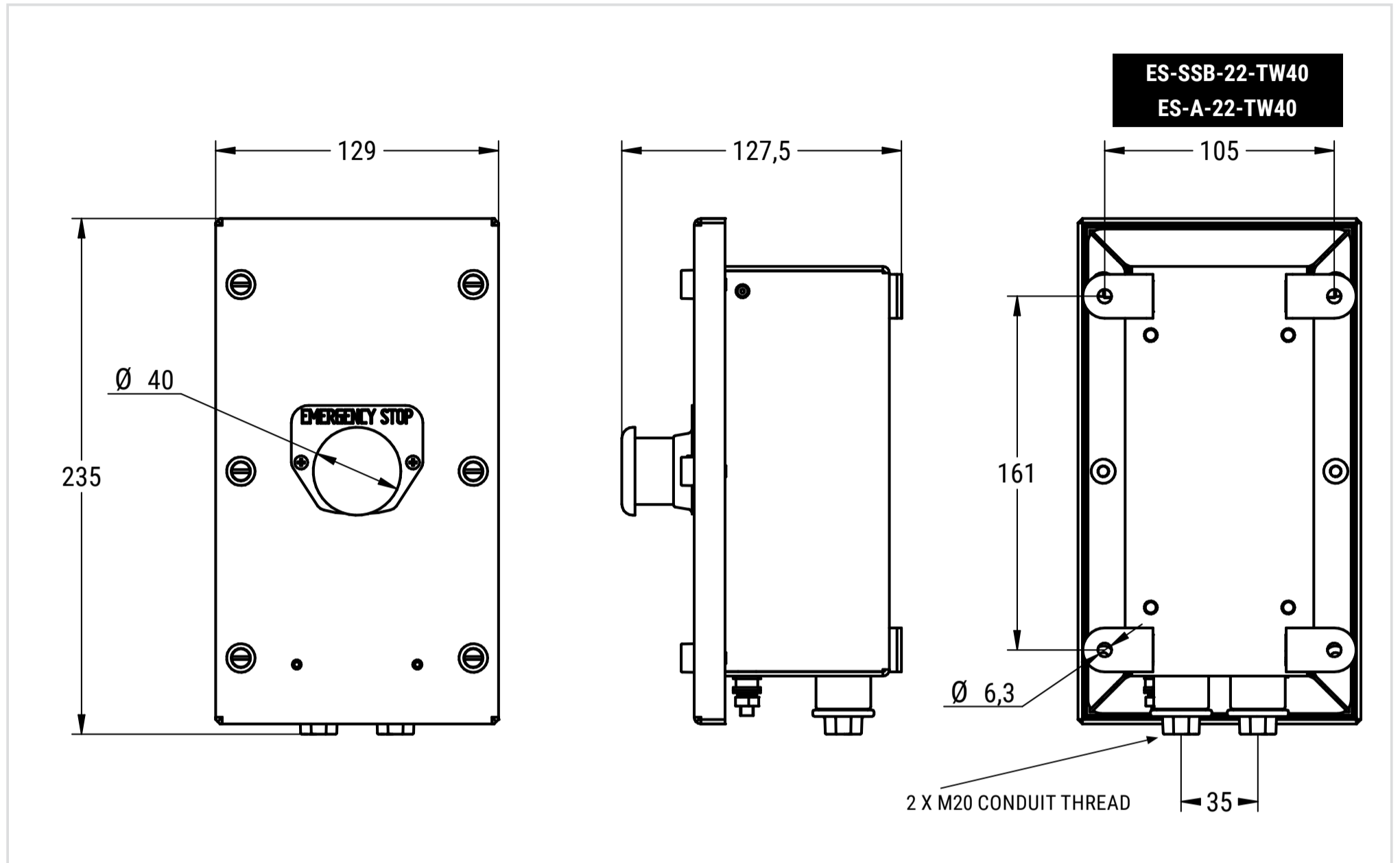


DIMENSIONS-PC/PBT PLASTIC 60MM INDICATOR EMERGENCY STOP

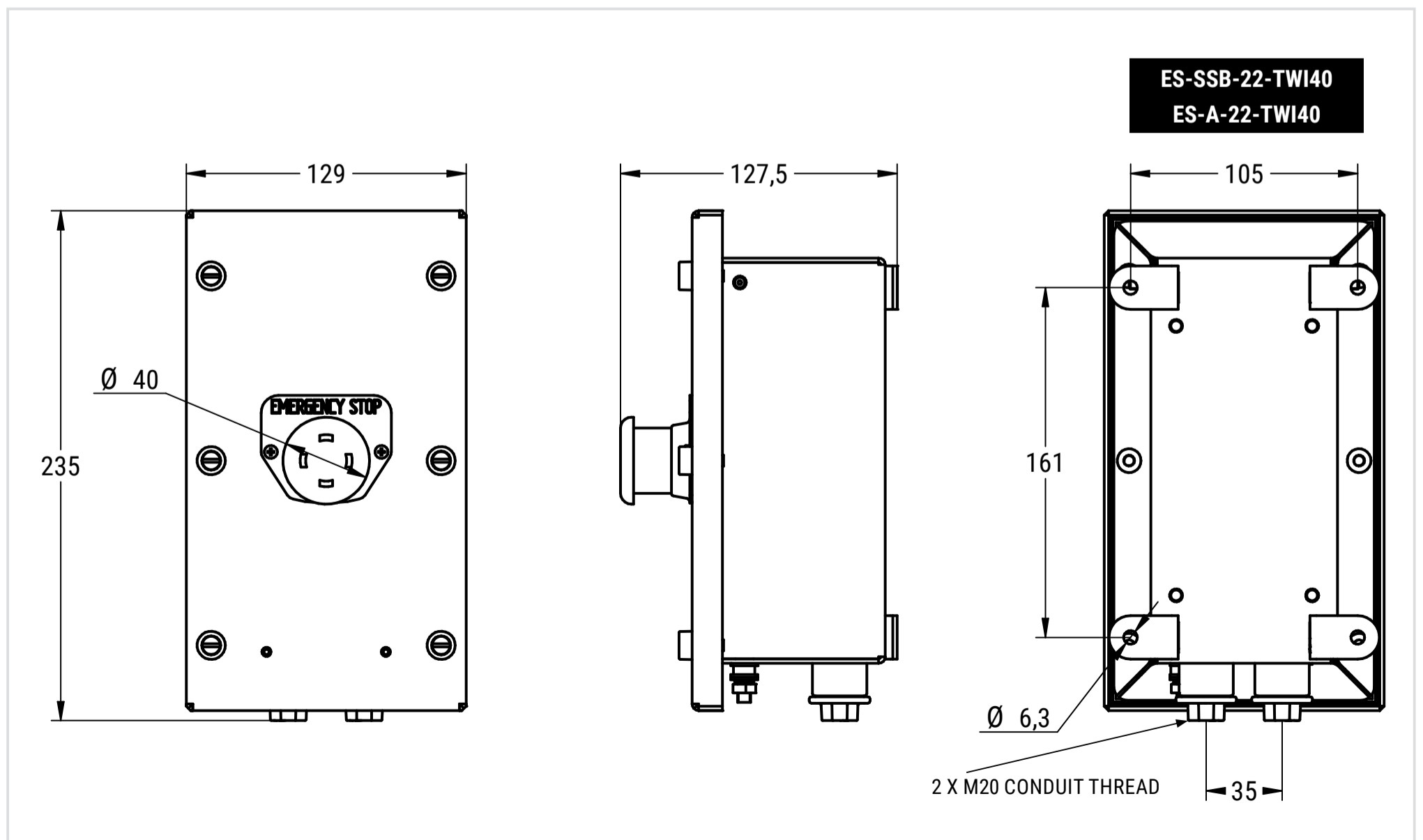


EMERGENCY STOP ENCLOSURES DIMENSIONS/BUTTON SIZE

DIMENSIONS-STAINLESS STEEL/ALUMINIUM 40MM EMERGENCY STOP



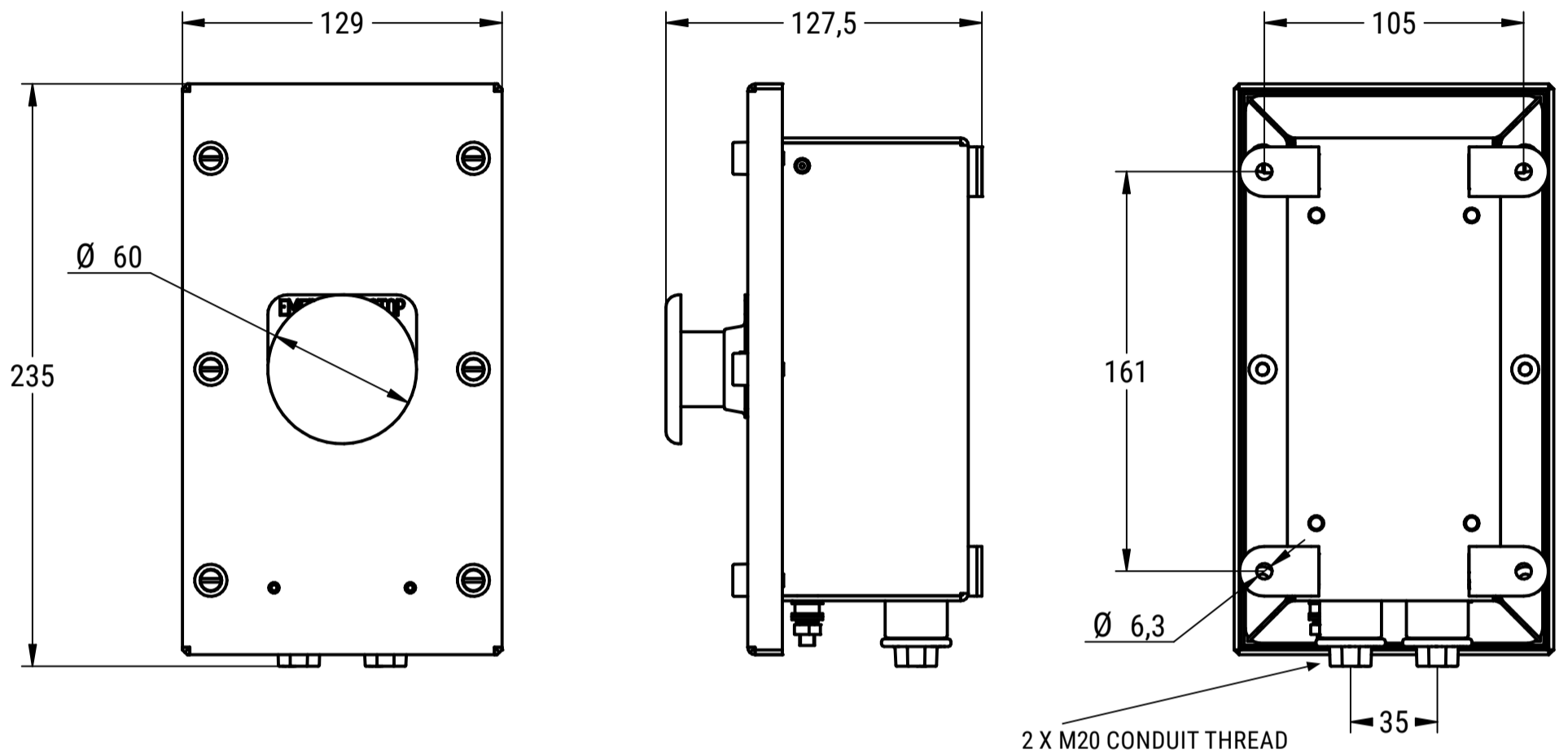
DIMENSIONS-STAINLESS STEEL/ALUMINIUM 40MM INDICATOR EMERGENCY STOP



EMERGENCY STOP ENCLOSURES DIMENSIONS/BUTTON SIZE

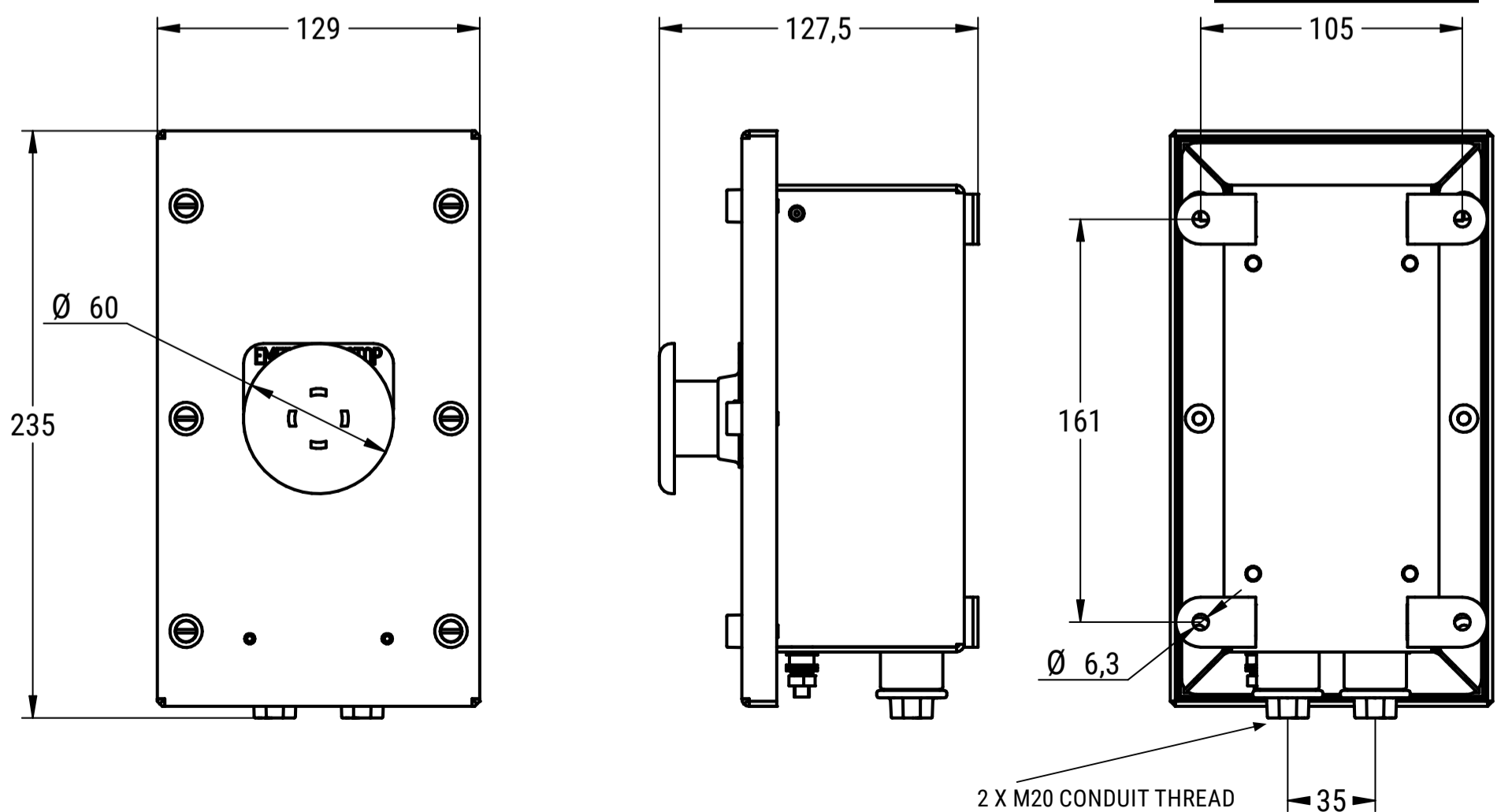
DIMENSIONS-STAINLESS STEEL/ALUMINIUM 60MM EMERGENCY STOP

ES-SSB-22-TW60
ES-A-22-TW60



DIMENSIONS-STAINLESS STEEL/ALUMINIUM 60MM INDICATOR EMERGENCY STOP

ES-SSB-22-TWI60
ES-A-22-TWI60



EMERGENCY STOP ENCLOSURES DIMENSIONS/BUTTON SIZE

DIMENSIONS-STAINLESS STEEL/ALUMINIUM SLOPING ROOF EMERGENCY STOP

