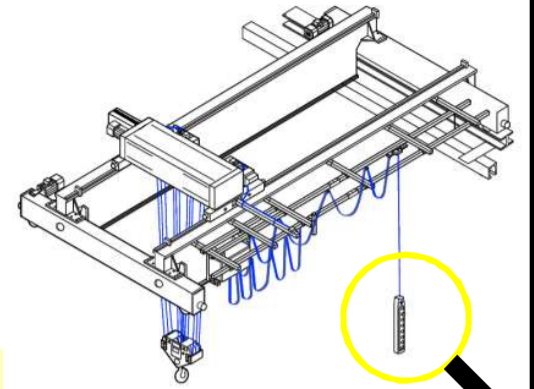




KIT Available See pg. 18

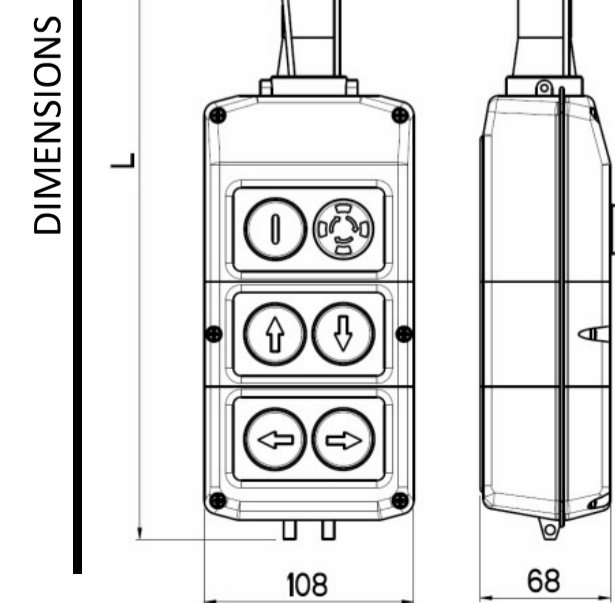
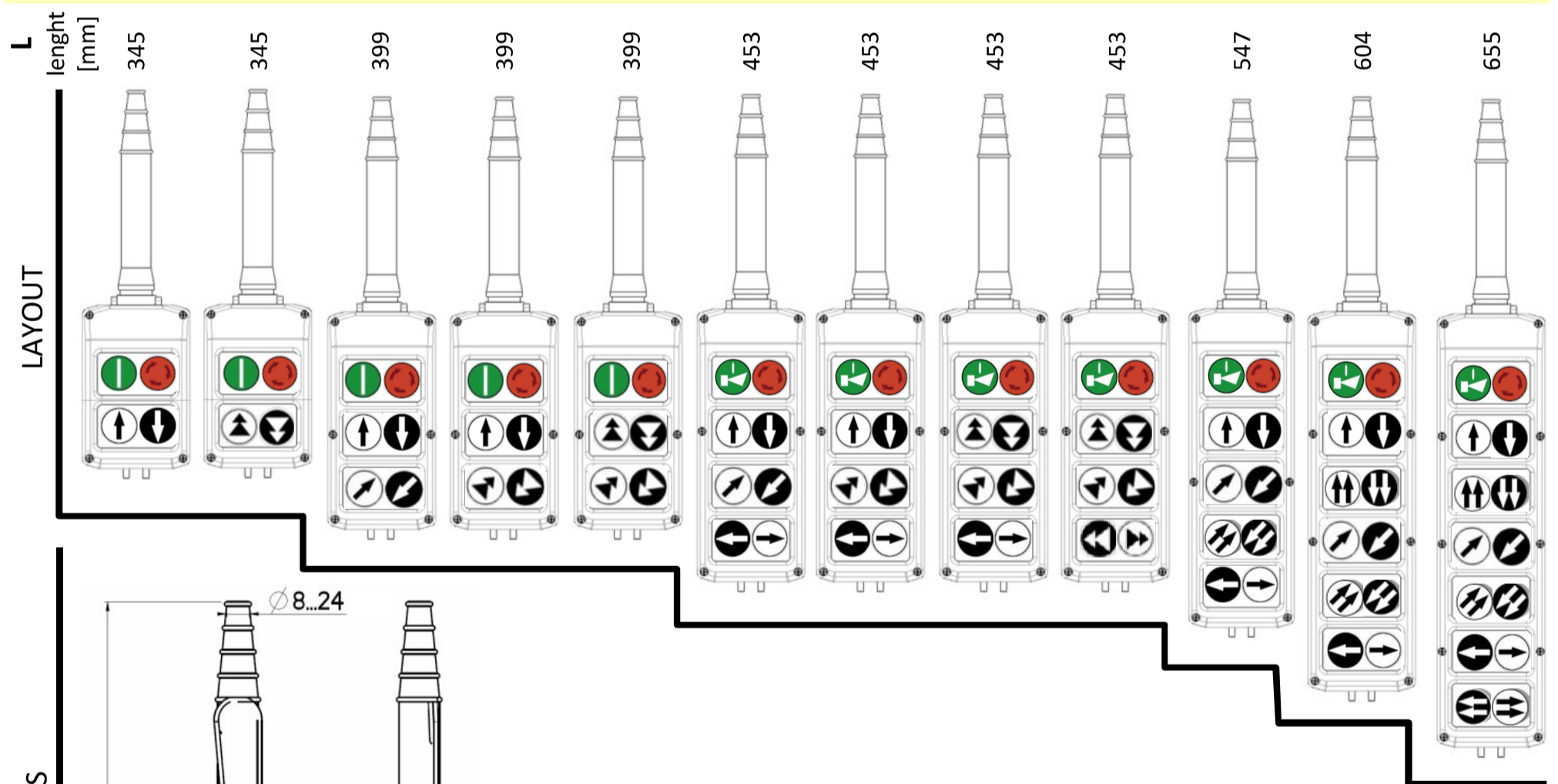


LIFTING EQUIPMENT

Characteristics:

- Bi-directional, mechanically interlocked
- IP 65 double insulation IEC/EN60529
- General and electrical data page 23
- Laser engraved symbols comply with EN60204-1, FEM 9.941
- Shock proof and heat resistant

CODE	PLB04	PLB04D2	PLB06	PLB06D2	PLB06D4	PLB08	PLB08D2	PLB08D4	PLB08D6	PLB10	PLB12	PLB14
weight [gr.]	560	590	620	770	800	830	830	860	890	920	990	1.140
N° push button	4	4	6	6	6	8	8	8	8	10	12	14



TIPO DI PULSANTE – TIPO DI CONTATTO ABBINATO

(*) two speed contact block