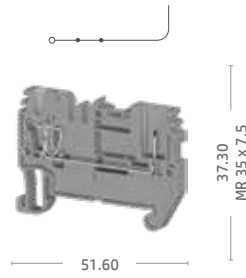


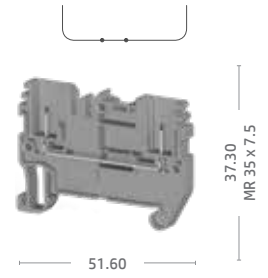
SCP2.5GREY

Width: 5.2 mm



SCPPP2.5GREY

Width: 5.2 mm



Feed Through Terminal Block Wire to Plug

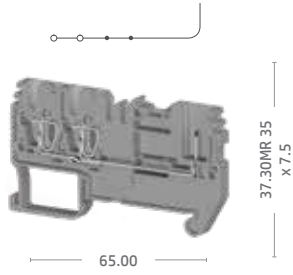
Feed Through Terminal Block Plug to Plug



Electrical Ratings	500 V / 24 A / 2.5 mm ²		500 V / 24 A / 2.5 mm ²	
CE (IEC 61984 / IEC 60947-7-1)				
Connection Data				
Conductor cross section solid (min.-max.)	0.08 - 4 mm ²			
Conductor cross section stranded (min.-max.)	0.14 - 2.5 mm ²			
2 conductors with same cross section, stranded, TWIN ferrules with plastic sleeve	0.5 mm ²			
AWG Conductor	28 - 12			
Insulation Stripping Length (min.-max.)	8 - 10 mm			
Technical Data				
Rated Impulse Voltage / Pollution severity	6/3		6/3	
Insulation material group / Gauge pin code according to IEC 60947-1	1/A3		1/NA	
Protection class / Protection conductor type	IP 20 / -		IP 20 / -	
Ordering Data	Type	Qty.	Type	Qty.
Feed Through Terminal Block	SCP2.5GREY	50	SCPPP2.5GREY	50
Feed Through Terminal Block, Earth				
Accessories	Type	Qty.	Type	Qty.
End Plate	EPSCP2.5GREY	50	EPSCP2.5GREY	50
Cross Connectors	CCSSCP2.5/2	25	CCSSCP2.5/2	25
	CCSSCP2.5/3	20	CCSSCP2.5/3	20
	CCSSCP2.5/4	15	CCSSCP2.5/4	15
	CCSSCP2.5/5	10	CCSSCP2.5/5	10
	CCSSCP2.5/10	5	CCSSCP2.5/10	5
Separation Plate	SCPSP2.5GREY	50	SCPSP2.5GREY	50
Pin Code	SCP-CODE	50	SCP-CODE	50
Marking Tags	Refer to our Printer solution		Refer to our Printer solution	

SCP212.5GREY

Width: 5.2 mm



**Feed Through Terminal Block
Double Wire Entry to Plug**

500 V / 24 A / 2.5 mm ²

0.08 - 4 mm ²
0.14 - 2.5 mm ²
0.5 mm ²
28 - 12
8 - 10 mm

6/3
1/A3
IP 20 / -

Type	Qty.
SCP212.5GREY	50

Type	Qty.
EPSCP212.5GREY	50

CCSSCP2.5/2	25
CCSSCP2.5/3	20
CCSSCP2.5/4	15
CCSSCP2.5/5	10
CCSSCP2.5/10	5

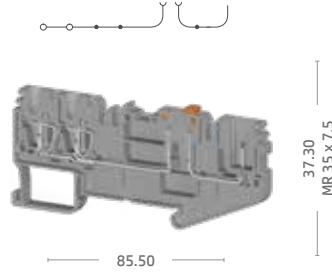
SCPSP212.5GREY	50
----------------	----

SCP-CODE	50
----------	----

Refer to our Printer solution

SCP22K2.5GREY

Width: 5.2 mm



**Knife Disconnect Terminal Block
Double Wire Entry to Plug**

400 V / 24 A / 2.5mm ²

0.08 - 4 mm ²
0.14 - 2.5 mm ²
0.5 mm ²
28 - 12
8 - 10 mm

6/3
1/A3
IP 20 / -

Type	Qty.
SCP22K2.5GREY	50

Type	Qty.
EPSCP222.5GREY	50

CCSSCP2.5/2	25
CCSSCP2.5/3	20
CCSSCP2.5/4	15
CCSSCP2.5/5	10
CCSSCP2.5/10	5

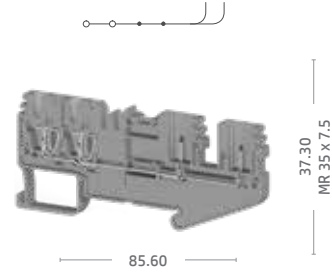
SCPSP222.5GREY	50
----------------	----

SCP-CODE	50
----------	----

Refer to our Printer solution

SCP222.5GREY

Width: 5.2 mm



**Feed Through Terminal Block
Double Wire Entry to Two Plugs**

500 V / 24 A / 2.5mm ²

0.08 - 4 mm ²
0.14 - 2.5 mm ²
0.5 mm ²
28 - 12
8 - 10 mm

6/3
1/A3
IP 20 / -

Type	Qty.
SCP222.5GREY	50

Type	Qty.
EPSCP222.5GREY	50

CCSSCP2.5/2	25
CCSSCP2.5/3	20
CCSSCP2.5/4	15
CCSSCP2.5/5	10
CCSSCP2.5/10	5

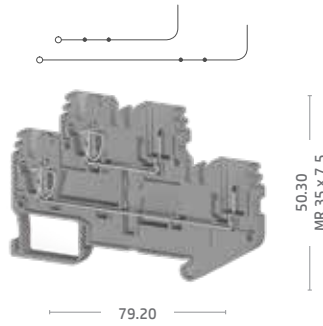
SCPSP222.5GREY	50
----------------	----

SCP-CODE	50
----------	----

Refer to our Printer solution

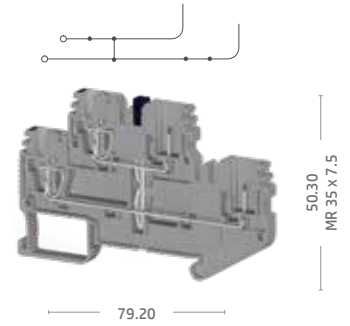
SCP22D2.5GREY

Width: 5.2 mm



SCP22DB2.5GREY

Width: 5.2 mm



Feed Through Two-Level Terminal Block Double Wire Entry to Two Plugs

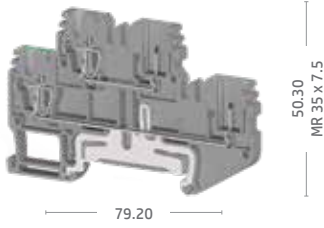
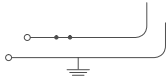
Feed Through Two-Level Terminal Block Double Wire Entry To Two Plugs Vertically Bridged



Electrical Ratings	500 V / 24 A / 2.5 mm ²		500 V / 24 A / 2.5 mm ²	
CE (IEC 61984 / IEC 60947-7-1)				
Connection Data				
Conductor cross section solid (min.-max.)	0.08 - 4 mm ²		0.08 - 4 mm ²	
Conductor cross section stranded (min.-max.)	0.14 - 2.5 mm ²		0.14 - 2.5 mm ²	
2 conductors with same cross section, stranded, TWIN ferrules with plastic sleeve	0.5 mm ²		0.5 mm ²	
AWG Conductor	28 - 12		28 - 12	
Insulation Stripping Length (min.-max.)	8 - 10 mm		8 - 10 mm	
Technical Data				
Rated Impulse Voltage / Pollution severity	6/3		6/3	
Insulation material group / Gauge pin code according to IEC 60947-1	1/A3		1/A3	
Protection class / Protection conductor type	IP 20 / -		IP 20 / -	
Ordering Data				
Feed Through Terminal Block	Type	Qty.	Type	Qty.
Feed Through Terminal Block, Earth	SCP22D2.5GREY	50	SCP22DB2.5GREY	50
Accessories				
End Plate	Type	Qty.	Type	Qty.
	EPSCP22D2.5GREY	25	EPSCP22D2.5GREY	25
Cross Connectors				
	CCSSCP2.5/2	25	CCSSCP2.5/2	25
	CCSSCP2.5/3	20	CCSSCP2.5/3	20
	CCSSCP2.5/4	15	CCSSCP2.5/4	15
	CCSSCP2.5/5	10	CCSSCP2.5/5	10
	CCSSCP2.5/10	5	CCSSCP2.5/10	5
Separation Plate				
	SCPSP22D2.5GREY	50	SCPSP22D2.5GREY	50
Pin Code				
	SCP-CODE	50	SCP-CODE	50
Marking Tags				
	Refer to our Printer solution		Refer to our Printer solution	

SCP22DLP2.5GREY

Width: 5.2 mm



**Feed Through Two-Level Terminal Block
Double Wire Entry To Two Plugs
Phase - Protective Earth Conductors**

500 V / 24 A / 2.5mm ² - V / - A / 2.5 mm ²

0.08 - 4 mm ²
0.14 - 2.5 mm ²
0.5 mm ²
28 - 12
8 - 10 mm

6/3
1/A3
IP 20 / - / PE

Type	Qty.
SCP22DLP2.5GREY	50

Type	Qty.
EPSCP22D2.5GREY	25

CCSSCP2.5/2	25
CCSSCP2.5/3	20
CCSSCP2.5/4	15
CCSSCP2.5/5	10
CCSSCP2.5/10	5

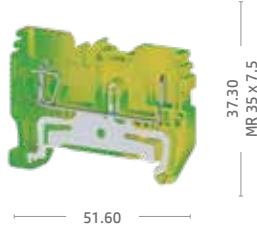
SCPSP22D2.5GREY	50
-----------------	----

SCP-CODE	50
----------	----

Refer to our Printer solution

SCPPE2.5P

Width: 5.2 mm



**Feed Through Terminal Block
Wire to Plug
Protective Earth**

- V / - A / 2.5 mm ²

0.08 - 4 mm ²
0.14 - 2.5 mm ²
0.5 mm ²
28 - 12
8 - 10 mm

6/3
1/A3
IP 20 / PE

Type	Qty.
SCPPE2.5P	50

Type	Qty.
EPSCPPE2.5	50

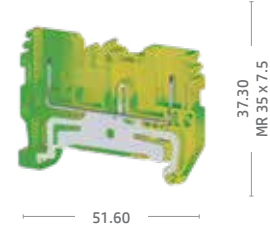
SCPSP2.5GREY	50
--------------	----

SCP-CODE	50
----------	----

Refer to our Printer solution

SCPPPE2.5P

Width: 5.2 mm



**Feed Through Terminal Block
Plug to Plug
Protective Earth**

- V / - A / 2.5 mm ²

6/3
1/NA
IP 20 / PE

Type	Qty.
SCPPPE2.5P	50

Type	Qty.
EPSCPPE2.5	50

SCPSP2.5GREY	50
--------------	----

SCP-CODE	50
----------	----

Refer to our Printer solution

SCP21PE2.5P

Width: 5.2 mm

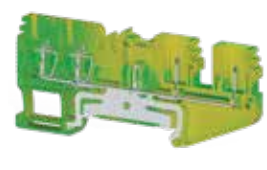
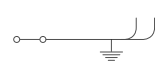


65.00

37.30
MR 35 x 7.5

SCP22PE2.5P

Width: 5.2 mm



85.60

37.30
MR 35 x 7.5

Feed Through Terminal Block Double Wire Entry to Plug Protective Earth

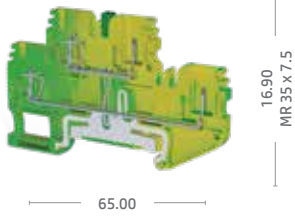
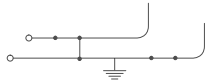
Feed Through Terminal Block Double Wire Entry to Two Plugs Protective Earth



Electrical Ratings	V / A / 2.5 mm ²		V / A / 2.5 mm ²	
CE (IEC 61984 / IEC 60947-7-1)				
Connection Data				
Conductor cross section solid (min.-max.)	0.08 - 4 mm ²		0.08 - 4 mm ²	
Conductor cross section stranded (min.-max.)	0.14 - 2.5 mm ²		0.14 - 2.5 mm ²	
2 conductors with same cross section, stranded, TWIN ferrules with plastic sleeve	0.5 mm ²		0.5 mm ²	
AWG Conductor	28 - 12		28 - 12	
Insulation Stripping Length (min.-max.)	8 - 10 mm		8 - 10 mm	
Technical Data				
Rated Impulse Voltage / Pollution severity	6/3		6/3	
Insulation material group / Gauge pin code according to IEC 60947-1	1/A3		1/A3	
Protection class / Protection conductor type	IP 20 / PE		IP 20 / PE	
Ordering Data	Type	Qty.	Type	Qty.
Feed Through Terminal Block				
Feed Through Terminal Block, Earth				
	SCP21PE2.5	50	SCP22PE2.5	50
Accessories	Type	Qty.	Type	Qty.
End Plate	EPSCP21PE2.5	50	EPSCP22PE2.5	50
Cross Connectors				
	CCSSCP2.5/2	25	CCSSCP2.5/2	25
	CCSSCP2.5/3	20	CCSSCP2.5/3	20
	CCSSCP2.5/4	15	CCSSCP2.5/4	15
	CCSSCP2.5/5	10	CCSSCP2.5/5	10
	CCSSCP2.5/10	5	CCSSCP2.5/10	5
Separation Plate				
	SCPSP212.5GREY	50	SCPSP22 2.5GREY	50
Pin Code				
	SCP-CODE	50	SCP-CODE	50
Marking Tags	Refer to our Printer solution		Refer to our Printer solution	

SCP22DBPE2.5P

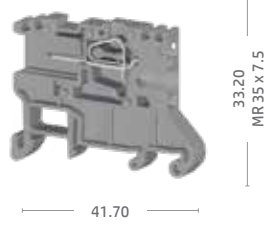
Width: 5.2 mm



Feed Through Two-Level Terminal Block
Double Wire Entry to Two Plugs
Vertically Bridged, Protective Earth

SCP-H02.5

Width: 5.2 mm



Feed Through Terminal Block
Wire to Plug
Horizontal Mount

SCP-FM2.5

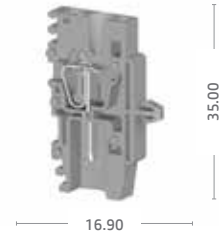
Width: 5.2 mm



Feed Through Terminal Block
Wire to Plug
Connector Mount

SCP-HM2.5

Width: 5.2 mm

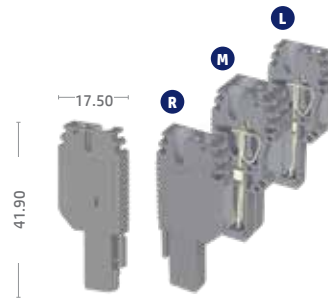


Feed Through Terminal Block
Wire to Plug
Hole Mount

V / A / 2.5 mm ²		500 V / 24 A / 2.5 mm ²		500 V / 24 A / 2.5 mm ²		500 V / 24 A / 2.5 mm ²	
0.08 - 4mm ²		0.08 - 4mm ²		0.08 - 4mm ²		0.08 - 4mm ²	
0.14 - 2.5 mm ²		0.14 - 2.5 mm ²		0.14 - 2.5 mm ²		0.14 - 2.5 mm ²	
0.5 mm ²		0.5 mm ²		0.5 mm ²		0.5 mm ²	
28 - 12		28 - 12		28 - 12		28 - 12	
8 - 10 mm		8 - 10 mm		8 - 10 mm		8 - 10 mm	
6/3		6/3		6/3		6/3	
1/A3		1/A3		1/A3		1/A3	
IP 20 / PE		IP 20 / -		IP 20 / -		IP 20 / -	
Type	Qty.	Type	Qty.	Type	Qty.	Type	Qty.
SCP22DBPE2.5	25	SCPH02.5GREY	50	SCPFM2.5GREY	50	SCPHM2.5GREY	50
Type	Qty.	Type	Qty.	Type	Qty.	Type	Qty.
EPSCP22DBPE2.5	25	EPSCPPT2.5GREY	50	EPSCPFH2.5GREY	50	EPSCPFH2.5GREY	50
CCSSCP2.5/2	25						
CCSSCP2.5/3	20						
CCSSCP2.5/4	15						
CCSSCP2.5/5	10						
CCSSCP2.5/10	5						
SCPSP22D2.5GREY	25						
SCP-CODE	50						
Refer to our Printer solution		Refer to our Printer solution		Refer to our Printer solution		Refer to our Printer solution	

SCP-PT2.5

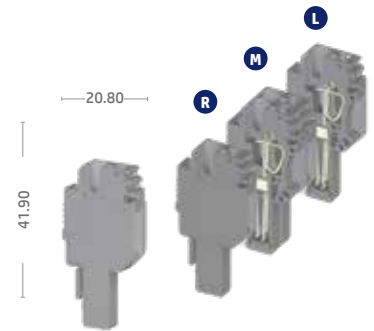
Width: 5.2 mm



One Pole or Modular Composition Plug

SCP-PTCC2.5

Width: 5.2 mm



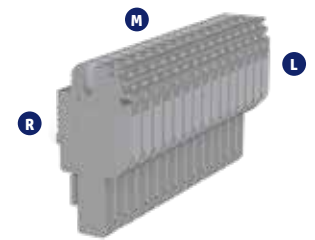
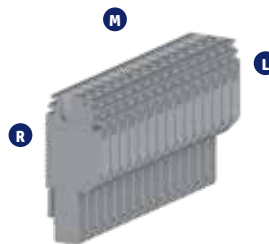
One Pole or Modular Composition Plug, Cross Connectable



Electrical Ratings CE (IEC 61984 / IEC 60947-7-1)	500V / 24A / 2.5 mm ²	500V / 24A / 2.5 mm ²
Connection Data		
Conductor cross section solid (min.-max.)	0.08 - 4mm ²	0.08 - 4mm ²
Conductor cross section stranded (min.-max.)	0.14 - 2.5 mm ²	0.14 - 2.5 mm ²
2 conductors with same cross section, stranded, TWIN ferrules with plastic sleeve	0.5 mm ²	0.5 mm ²
AWG Conductor	28 - 12	28 - 12
Insulation Stripping Length (min.-max.)	8 - 10 mm	8 - 10 mm
Technical Data		
Rated Impulse Voltage / Pollution severity	6/3	6/3
Insulation material group / Gauge pin code according to IEC 60947-1	1/A3	1/A3
Protection class / Protection conductor type	IP 20 / -	IP 20 / -
Ordering Data	Type Qty.	Type Qty.
■ Plug Wire to Socket, One Pole	SCP-PT2.5/1GREY 50	SCP-PTCC2.5/1GREY 25
■ Plug Wire to Socket, One Pole Modular, Left Hand Side L	SCP-PT2.5/1LGREY 50	SCP-PTCC2.5/1LGREY 20
■ Plug Wire to Socket, One Pole Modular, Middle M	SCP-PT2.5/1MGREY 50	SCP-PTCC2.5/1MGREY 15
■ Plug Wire to Socket, One Pole Modular, Right Hand Side R	SCP-PT2.5/1RGREY 50	SCP-PTCC2.5/1RGREY 10
■ Plug Wire to Socket, One Pole, Earth	SCP-PTPE2.5 50	SCP-PTCCPE2.5 5
Accessories	Type Qty.	Type Qty.
Cross Connectors		CCSSCP2.5/2 25
		CCSSCP2.5/3 20
		CCSSCP2.5/4 15
		CCSSCP2.5/5 10
		CCSSCP2.5/10 5
Socket Locks	SCP-LOCK1 50	SCP-LOCK1 50
	SCP-LOCK2 50	SCP-LOCK2 50
Cable Tie Holder	SCP-HOLD 100	SCP-HOLD 100
Marking Solution	Refer to our Printer Section	Refer to our Printer Section

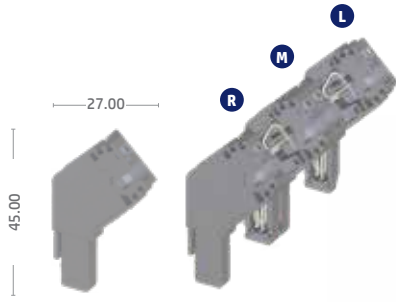
Combination Possibilities

By combining single units of **L-R** products for left and right ends, add desired quantities of **M** products in-between to make your custom sockets.



SCP-PTA2.5

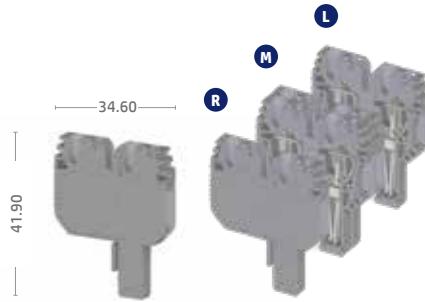
Width: 5.2 mm



One Pole or Modular Composition Plug, 45° Angled

SCP-PTD2.5

Width: 5.2 mm



One Pole or Modular Composition Plug, Double Entry, Cross Connectable

500V / 24A / 2.5 mm ²

0.08 - 4 mm ²
0.14 - 2.5 mm ²
0.5 mm ²
28 - 12
8 - 10 mm

6/3
1/A3
IP 20 / -

Type	Qty.
SCP-PTA2.5/1GREY	50
SCP-PTA2.5/1LGREY	50
SCP-PTA2.5/1MGREY	50
SCP-PTA2.5/1RGREY	50
SCP-PTAPE2.5	50

Type	Qty.

SCP-LOCK1	50
SCP-LOCK2	50

SCP-HOLD	100

Refer to our Printer Section

500V / 24A / 2.5 mm ²

0.08 - 4 mm ²
0.14 - 2.5 mm ²
0.5 mm ²
28 - 12
8 - 10 mm

6/3
1/A3
IP 20 / -

Type	Qty.
SCP-PTD2.5/1GREY	25
SCP-PTD2.5/1LGREY	20
SCP-PTD2.5/1MGREY	15
SCP-PTD2.5/1RGREY	10
SCP-PTDPE2.5	5

Type	Qty.
CCSSCP2.5/2	25
CCSSCP2.5/3	20
CCSSCP2.5/4	15
CCSSCP2.5/5	10
CCSSCP2.5/10	5

SCP-LOCK1	50
SCP-LOCK2	50

SCP-HOLD	100

Refer to our Printer Section

