

Thermal Control - Ventilation

IP-V

Filter Vents & Fans

12VDC to 230VAC | 26m³/h to 700m³/h | IP54 (IP55 Optional)



IP Enclosures range of filter fans and vents feature a modern Italian grille design with minimal external projection. The front-opening grille allows filters to be easily maintained from the outside of the enclosure.

Features & Specifications

IP Enclosures provide a wide range of ventilation products for electrical enclosures. The front-opening grille allows filters to be easily maintained from the outside of the enclosure. All molded parts are made of highly resistant and self-extinguishing ABS. IP Enclosures ventilation products are manufactured to the highest quality in Italy.

Protection: IP54 (or IP55 if used with High Efficiency Filter Mat IP-VFXX or Vent Hood)

Conformity:  

Material: ABS UL94V-0 color RAL7035 (Optional Colour Black)

Flow Direction: Reversible

FEATURES

Modern Design: A positive visual impact is provided by the modern grille design and minimal external projection. All molded parts are made of highly resistant and self-extinguishing ABS, UL94 VO grade. The standard color is RAL7035.

Easy Maintenance: Filter mats can be easily maintained from outside of the enclosure due to the front-opening grille. Replacement of soiled filter mats takes only a few seconds without the use of tools.

Wide Range of Air Flow Ratings: 26m³/h to 700m³/h

Optimal Enclosure Protection: The special configuration of the grille, foam seal gasket and filter mat ensures an IP54 protection of the enclosure.

Quick Electrical Connection: Fitted with spring terminals for faster and safer wiring. Default terminal position is above the fan but can be easily changed to bottom of fan to suit wiring needs without tools.

Reversible Fan: Default air flow direction is from outside to inside of the enclosure. If required, air flow can be reversed due to quick release fan lock system without the use of tools.

Fast Installation: Installation is fast due to the simple square cutout on the enclosure and the snap-in fixing system. No fasteners are required.

Vent Hoods: To obtain IP55 protection, use in conjunction with IP Enclosures vent hoods. Hinged vent hoods are available to provide operator access to easily maintain filters from the outside of the enclosure.



Easy Maintenance due to Front Opening Grille



Step 1: Open Grille



Step 2: Remove Filter



Step 3: Insert Filter



Step 4: Close Grille

114mm x 114mm 26m3/hr		Vent	230V Fan	115V Fan	12VDC Fan	24VDC Fan
Part Number	SKU	IP-V1000	IP-V1100	IP-V1101	IP-V1112	IP-V1124
Air flow rate (free blow)	m3/h	-	26 (30)		26	
Air flow rate with exit filter	m3/h	-	15 (18)		15	
Power supply	V/Hz	-	230 / 50-60	115 / 50-60	12DC	24DC
Dimensions HxWxD	mm	114x114x27	114x114x73		114x114x60	
Power consumption	W	-	13 (12)		3	4
Current consumption	A	-	0.10 (0.08)	0.14 (0.12)	0.25	0.16
Overcurrent protection	-	-	impedance			
Electrical connection	-	-	3-poles spring terminals*		2-poles spring terminals*	
Duty cycle	-	-	100%			
Operating temperature	°C (°F)	-10 / +70 (+14/+158)				
Protection degree / Class	-	IP54	IP54 / Class I			
Noise level	dB(A)	-	30 (35)		35	
Flow direction	-	-	reversible, default factory setting outside-in			
Bearing	-	-	ball			
Filter mat EN779	-	G2	G2			
Cut-out Dimensions	mm	92x92	92x92			
Material	-	ABS UL94V-0 color RAL7035				

150mm x 150mm 58m3/hr		Vent	230V Fan	115V Fan	24VDC Fan	48VDC Fan
Part Number	SKU	IP-V2000*	IP-V2200*	IP-V2201	IP-V2224	IP-V2248
Air Flow rate (free blow)	m3/h	-	58(64)		58	
Air flow rate with exit filter	m3/h	-	43(48)		43	
Power supply	V/Hz	-	230 / 50-60	115 / 50-60	24DC	48DC
Dimensions HxWxD	mm	150x150x37	150x150x86			
Power consumption	W	-	22 (21)		9	13
Current consumption	A	-	0.14 (0.12)	0.26 (0.24)	0.37	0.27
Overcurrent protection	-	-	impedance			
Electrical connection	-	-	3-poles spring terminals*		2-poles spring terminals*	
Duty cycle	-	-	100%			
Operating temperature	°C (°F)	-10 / +70 (+14/+158)				
Protection degree / Class	-	IP54	IP54 / Class I			
Noise level	dB(A)	-	43(49)		45	
Flow direction	-	-	reversible, default factory setting outside-in			
Bearing	-	-	ball			
Filter mat EN779	-	G3	G3			
Cut-out Dimensions	mm	124x124	124x124			
Material	-	ABS UL94V-0 color RAL7035*				

*Available in Black IP-V2000-BLK; IP-V2200-BLK

204mm x 204mm 115m3/hr		Vent	230V Fan	115V Fan	24VDC Fan	48VDC Fan
Part Number	SKU	IP-V3000	IP-V3200	IP-V3201	IP-V3224	IP-V3248
Air flow rate (free blow)	m3/h	-	115 (125)		115	
Air flow rate with exit filter	m3/h	-	84 (97)		84	
Power supply	V/Hz	-	230 / 50-60	115 / 50-60	24DC	48DC
Dimensions HxWxD	mm	204x204x37	204x204x104			
Power consumption	W	-	22 (21)		9	13
Current consumption	A	-	0.14 (0.12)	0.26 (0.24)	0.37	0.27
Overcurrent protection	-	-	impedance			
Electrical connection	-	-	3-poles spring terminals*		2-poles spring terminals*	
Duty cycle	-	-	100%			
Operating temperature	°C (°F)	-10 / +70 (+14/+158)				
Protection degree / Class	-	IP54	IP54 / Class I			
Noise level	dB(A)	-	43 (49)		45	
Flow direction	-	-	reversible, default factory setting outside-in			
Bearing	-	-	ball			
Filter mat EN779	-	G3	G3			
Cut-out Dimensions	mm	177x177	177x177			
Material	-	ABS UL94V-0 color RAL7035				

Note: Filter Vents and Fans are also available in Black colour upon request.

250mm x 250mm 125m3/hr		Vent	230V Fan	115V Fan	24VDC Fan	48VDC Fan
Part Number	SKU	IP-V4000	IP-V4200	IP-V4201	IP-V4224	IP-V4248
Air flow rate (free blow)	m3/h	-	125 (135)		125	
Air flow rate with exit filter	m3/h	-	102 (112)		102	
Power supply	V/Hz	-	230 / 50-60	115 / 50-60	24DC	48DC
Dimensions HxWxD	mm	250x250x38	250x250x107			
Power consumption	W	-	22 (21)		9	13
Current consumption	A	-	0.14 (0.12)	0.26 (0.24)	0.37	0.27
Overcurrent protection	-	-	impedance			
Electrical connection	-	-	3-poles spring terminals*		2-poles spring terminals*	
Duty cycle	-	-	100%			
Operating temperature	°C (°F)	-10 / +70 (+14/+158)				
Protection degree / Class	-	IP54	IP54 / Class I			
Noise level	dB(A)	-	43 (49)		45	
Flow direction	-	-	reversible, default factory setting outside-in			
Bearing	-	-	ball			
Filter mat EN779	-	G3	G3			
Cut-out Dimensions	mm	224x224	224x224			
Material	-	ABS UL94V-0 color RAL7035				

250mm x 250mm 255m3/hr to 410m3/hr		230V	115V	24VDC	48VDC	230V	115V	400V		
Part Number	SKU	IP-V4000	IP-V4300	IP-V4301	IP-V4324	IP-V4348	IP-V4400	IP-V4401	IP-V4440	
Air flow rate (free blow)	m3/h	-	255 (290)		255		410 (445)			
Air flow rate with exit filter	m3/h	-	202 (235)		202		280 (302)			
Power supply	V/Hz	-	230 / 50-60	115 / 50-60	24DC	48DC	230 / 50-60	115 / 50-60	400 / 50-60	
Dimensions HxWxD	mm	250x250x38	250x250x128				250x250x136			
Power consumption	W	-	40 (38)		26	33	70 (90)		60 (70)	
Current consumption	A	-	0.17 (0.16)	0.34 (0.32)	1.08	0.68	0.40 (0.38)	0.80 (0.76)	0.18 (0.15)	
Overcurrent protection	-	-	thermal		impedance		thermal			
Electrical connection	-	-	3-poles spring terminals*		2-poles spring terminals*		3-poles spring terminals*		4-p s t*	
Duty cycle	-	-	100%							
Operating temperature	°C (°F)	-10 / +70 (+14/+158)								
Protection degree / Class	-	IP54	IP54 / Class I							
Noise level	dB(A)	-	53 (58)		61		65 (68)			
Flow direction	-	-	reversible, default factory setting outside-in							
Bearing	-	-	ball							
Filter mat EN779	-	G3	G3							
Cut-out Dimensions	mm	224x224	224x224							
Material	-	ABS UL94V-0 color RAL7035								

325mm x 325mm 550m3/hr - 700m3/hr		230V Fan	115V Fan	400V Fan	230V Fan	115V Fan	
Part Number	SKU	IP-V5000	IP-V5400	IP-V5401	IP-V5440	IP-V5500	IP-V5501
Air flow rate (free blow)	m3/h	-	550 (620)			700 (770)	
Air flow rate with exit filter	m3/h	-	405 (450)			520 (575)	
Power supply	V/Hz	-	230 / 50-60	115 / 50-60	400 / 50-60	230 / 50-60	115 / 50-60
Dimensions HxWxD	mm	325x325x42	325x325x140			325x325x154	
Power consumption	W	-	70 (90)		60 (70)	130 (180)	
Current consumption	A	-	0.40 (0.38)	0.80 (0.76)	0.18 (0.15)	0.55 (0.81)	1.10 (1.62)
Overcurrent protection	-	-	thermal				
Electrical connection	-	-	3-poles spring terminals*		4-p s t*	3-poles spring terminals*	
Duty cycle	-	-	100%				
Operating temperature	°C (°F)	-10 / +70 (+14/+158)					
Protection degree / Class	-	IP54	IP54 / Class I				
Noise level	dB(A)	-	65 (68)			72 (73)	
Flow direction	-	-	reversible, default factory setting outside-in				
Bearing	-	-	ball				
Filter mat EN779	-	G3	G3				
Cut-out Dimensions	mm	291x291	291x291				
Material	-	ABS UL94V-0 color RAL7035					

Note: Filter Vents and Fans are also available in Black colour upon request.

Thermal Control - Ventilation

IP-RV/RFV

Roof Vents & Roof Fans

230VAC | 600m³/h to 1500m³/h | IP44, IP54



IP Enclosures provide a wide range of roof mounted ventilation products for electrical cabinets.

Features & Specifications

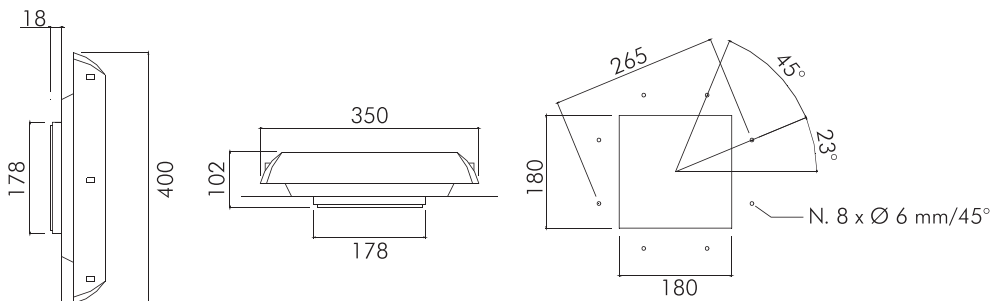
IP-RV/RFV

IP Enclosures provide a wide range of ventilation products for electrical enclosures. All molded parts are made of highly resistant and self-extinguishing ABS. IP Enclosures ventilation products are manufactured to the highest quality in Italy.

Protection: IP44, IP54

Conformity: 

Material: ABS UL94V-0 color RAL7035 | Steel Color RAL7035



		Roof Vent	600m3 Fan	860m3 Fan	1000m3 Fan	Roof Vent	1500m3 Fan
Features	Unit	IP-RV1	IP-RFV1	IP-RFV2	IP-RFV3	IP-RV4	IP-RFV4
Air flow rate (free blow)	m³/h	-	600/(625)	860/(950)	1000/(1050)	-	1500/(1550)
Flow rate with filter fan	m³/h	-	430/(450)	580/(640)	700/(720)	-	900/(950)
Power supply	V/Hz	-	230-50/60	230-50/60	230-50/60	-	230-50/60
Dimensions HxWxD	mm	400x350x102				540x390x150	540x390x128
Power consumption	W	-	70/(90)	85/(115)	120/(170)	-	160/(215)
Current consumption	A	-	0.32/(0.40)	0.43/(0.50)	0.50/(0.75)	-	0.70/(0.98)
Overcurrent protection	-	-	thermal			-	thermal
Electric connection	-	-	4-pole terminal 2.5 mm²			-	4-pole terminal 2.5 mm²
Duty cycle	-	-	100%			-	100%
Operating temperature	°C(°F)	-10/+70 (+14/+158)				-20/+50 (-4/+22)	-10/+70 (+14/+158)
Protection degree enclosure side	-	IP44				IP54	IP44
Protection class	-	-	Class I			-	Class I
Noise level	dB(A)	-	64(65)	72(73)	72(73)	-	74(75)
Flow direction	-	-	inside-out			-	inside-out
Bearing	-	-	ball			-	ball
Service life (at 40°C)	hr	-	50.000			-	50.000
Material	-	ABS UL94V-0 Color RAL7035				Steel Color RAL7035	
Gasket	-	Self-Adhesive				PVC	
Weight (with packaging)	kg	2.30(2.50)	3.65(3.85)	4.00(4.20)	4.75(4.95)	5.2(5.5)	11.3(12.3)
Package dimensions	mm	410x360x130				550x400x140	
Mounting	-	Screws					
Conformity/ Certifications	-	CE					