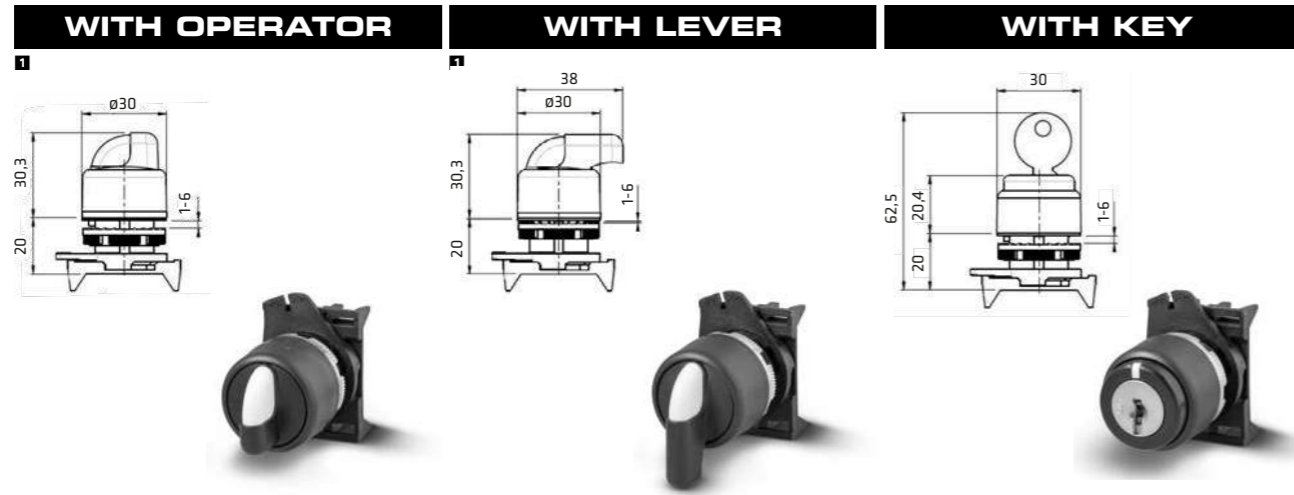


ROTARY SWITCHES Ø22

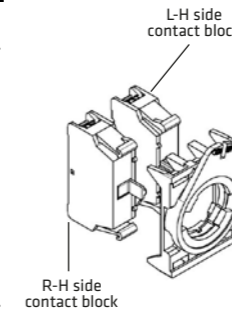


JOYSTICK OPERATORS Ø22 | IP65

2 POSITIONS

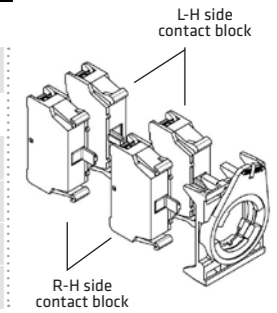
Horizontal Vertical

CONTACT BLOCKS	Horizontal			Vertical		
	1	0	2	1	0	2
Left-hand side contact block	NO	X	0	0	0	X
Right-hand side contact block	NO	0	0	X	0	0
	NC	0	0	0	X	0
	NC	X	0	0	0	X



4 POSITIONS

	3	1	0	2	4
Left-hand side contact block	X	0	0	0	0
Right-hand side contact block	0	0	0	0	X
	0	X	0	0	0
	0	0	0	X	0



X Contact close
0 Contact open

POSITION	COLOUR INDEX	CODE	COLOUR INDEX	CODE	KEY REMOVAL			CODE
					L	O	R	
90°	■	PSMB1D0	■	PSLB1D0		*		PSCR8D0C
	■	PSMB2D0	■	PSLB2D0			*	PSCR8D0E
	■	PSMB3D0	■	PSLB3D0			*	PSCR8D0N
	■	PSMB4D0	■	PSLB4D0			*	
	■	PSMB5D0	■	PSLB5D0			*	
45°	■	PSMB8D0	■	PSLB8D0			*	
	■	PSMB1D2	■	PSLB1D2		*		PSCR8D2C
	■	PSMB2D2	■	PSLB2D2			*	
	■	PSMB3D2	■	PSLB3D2			*	
	■	PSMB4D2	■	PSLB4D2			*	
45°	■	PSMB5D2	■	PSLB5D2			*	
	■	PSMB8D2	■	PSLB8D2			*	
	■	PSMB1T0	■	PSLB1T0	*	*	*	PSCR8T0C
	■	PSMB2T0	■	PSLB2T0	*	*	*	PSCR8T0A
	■	PSMB3T0	■	PSLB3T0	*	*	*	PSCR8T0E
45°	■	PSMB4T0	■	PSLB4T0	*	*	*	PSCR8T0G
	■	PSMB5T0	■	PSLB5T0	*	*	*	PSCR8T0H
	■	PSMB8T0	■	PSLB8T0	*	*	*	PSCR8T0K
	■	PSMB1T3	■	PSLB1T3			*	PSCR8T3C
	■	PSMB2T3	■	PSLB2T3			*	
45°	■	PSMB3T3	■	PSLB3T3			*	
	■	PSMB4T3	■	PSLB4T3			*	
	■	PSMB5T3	■	PSLB5T3			*	
	■	PSMB8T3	■	PSLB8T3			*	
	45°	■	PSMB1T2	■	PSLB1T2		*	
■		PSMB2T2	■	PSLB2T2			*	PSCR8T2A
■		PSMB3T2	■	PSLB3T2			*	
■		PSMB4T2	■	PSLB4T2			*	
■		PSMB5T2	■	PSLB5T2			*	PSCR8T2H
45°	■	PSMB8T2	■	PSLB8T2		*	*	
	■	PSMB1T1	■	PSLB1T1		*		PSCR8T1C
	■	PSMB2T1	■	PSLB2T1			*	PSCR8T1E
	■	PSMB3T1	■	PSLB3T1			*	
	■	PSMB4T1	■	PSLB4T1			*	
45°	■	PSMB5T1	■	PSLB5T1		*	*	PSCR8T1N
	■	PSMB8T1	■	PSLB8T1		*	*	



POSITION	CODE	WEIGHT	MIN. PACK	SIZES
1 0 2	PMJN8T0	58 grams	5	
1 0 2	PMJN8T3			
1 3 0 4 2	PMJN8Q0			
1 3 0 4 2	PMJN8Q4			
1 0 2	PMJN805			
1 0 2	PMJN80R			

POSITION	CODE	WEIGHT	MIN. PACK	SIZES
1 0 2	PMJN8T01	51 grams	5	
1 0 2	PMJN8T31			
1 3 0 4 2	PMJN8Q01			
1 3 0 4 2	PMJN8Q41			
1 0 2	PMJN80S1			
1 0 2	PMJN80R1			

1 For standard rotary switches suitable to operate a central contact, replace the letter "B" with the letter "C": PSMC
2 For rotary switches with Left - Right operating angles replace the letters "DO" with "SD": PSMB1DO or PSCR8SDE

* Key removable position