

LANYARD PULL WIRE GUIDE

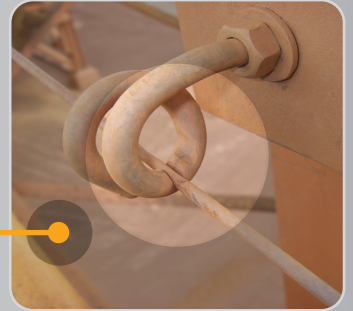


STG-200-SS & STG-ES-P



STG-200-SS & STG-ES-SS
(Shown with communication cable)

CE Conformity



The use of pigtails or eyebolts can cause these major functional issues.

Made from UV stabilised polypropylene, the guide is mounted on a M10 stainless steel support rod and suitable for pull wires from standard 5mm OD wires through to larger communication cables.

The length of the rope guide and the addition of a slip agent to the polypropylene result in a low friction surface which reduces the Nm force required to activate the pull wire in any direction. This also eliminates static friction points, an issue associated with systems utilising other supports such as pigtails and eyebolts. Small surfaces and sharp edges can cause the pull wire to become worn or trapped due to continuous vibrations from conveyor systems.

The design of the rope guide and support rod ensures the pull wire remains in place and allows the wire to slide through the guide freely, even when entering from a slight angle. The integrity of the system is maintained, and the wire rope protected from premature replacement.

If the wire rope needs to be removed or replaced for any reason, the process is as simple as removing the nut in front of the guide and replacing it once the wire rope is back in place. If additional guides are required, they can be installed the same way.

TARGETING CONVEYOR SAFETY
SAFE-T-GUIDE

GUIDE TYPES

SEE INSTALLATION INSTRUCTION FOR MORE DETAILS



STG-200-SS & STG-ES-P



STG-200-C-SS & STG-ES-SS

STG-200-SS

STG-200-C-SS
With Stainless Steel cover

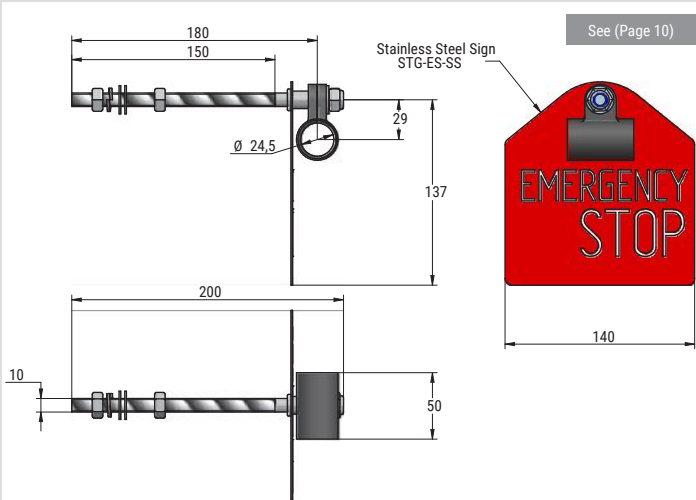
STG-350-SS

STG-350-C-SS
With Stainless Steel cover

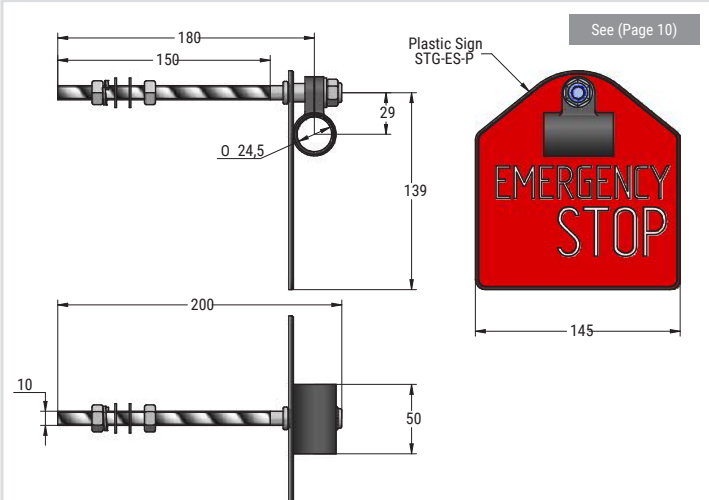


Guide and cover available separately see (Page 10)

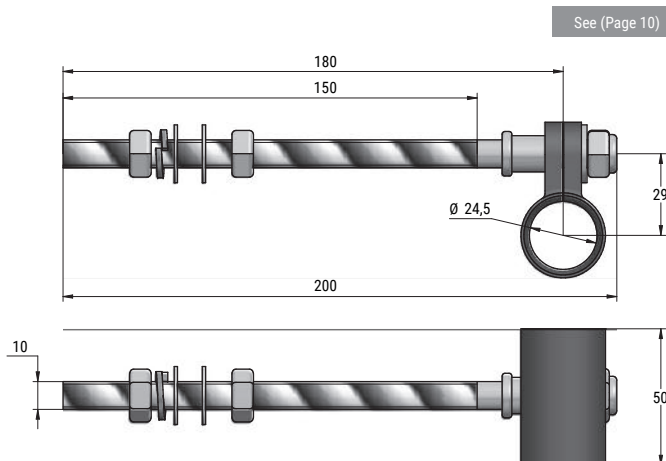
DIMENSIONS



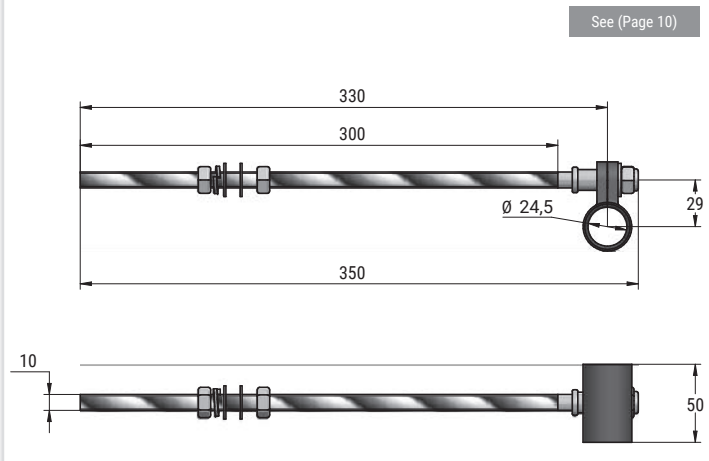
STG-200-SS Shown with optional **STG-ES-SS**
Guide available with Stainless Steel cover **STG-200-C-SS**



STG-200-SS Shown with optional **STG-ES-P**
Guide available with Stainless Steel cover **STG-200-C-SS**



STG-200-SS Also available with Stainless Steel cover **STG-200-C-SS**
and optional signs **STG-ES-SS** or **STG-ES-P**



STG-350-SS Also available with Stainless Steel cover **STG-350-C-SS**
and optional signs **STG-ES-SS** or **STG-ES-P**

GUIDE TYPES

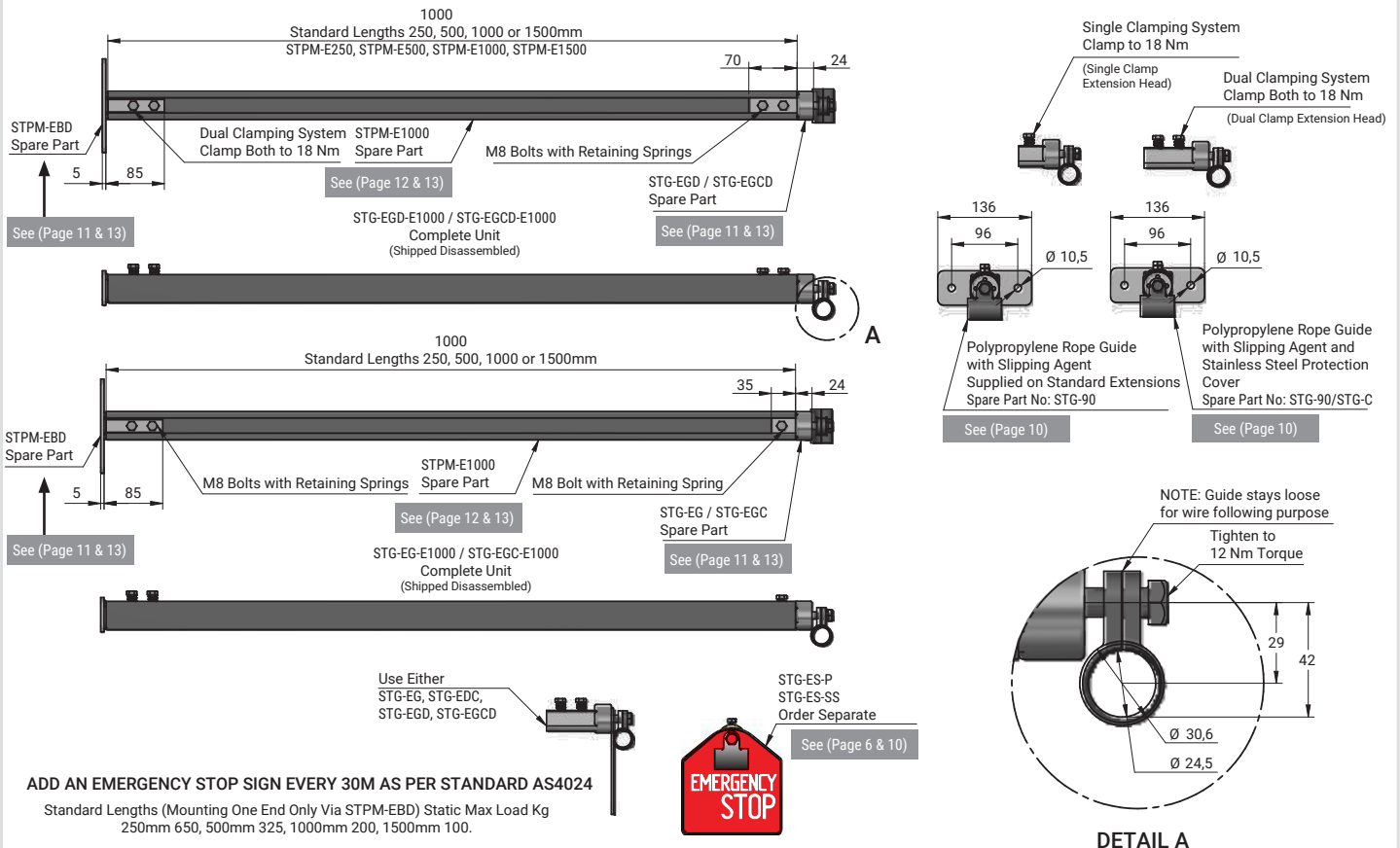
SEE INSTALLATION INSTRUCTION FOR MORE DETAILS



STG-EGD-E250

SAFE-T-GUIDE extensions enable guides to be extended out further than the standard 200mm guide rod. The extension system has a simple slide-together structure that delivers structural strength at longer guide positions allowing the pull wire to be activated without any damage to the guide system.

DIMENSIONS



GALVANISED AND ZINC PLATED GUIDE EXTENSION PARTS
 ALSO IN STAINLESS STEEL

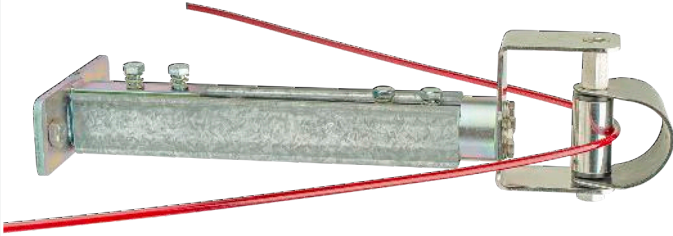
NOTE: ARTWORK SHOWN FOR ILLUSTRATION PURPOSES

TARGETING CONVEYOR SAFETY

SAFE-T-GUIDE®

GUIDE TYPES

SEE INSTALLATION INSTRUCTION FOR MORE DETAILS



STG-ERD-E250 Outside Corner Setup



STG-ERD-E250 Inside Corner Setup

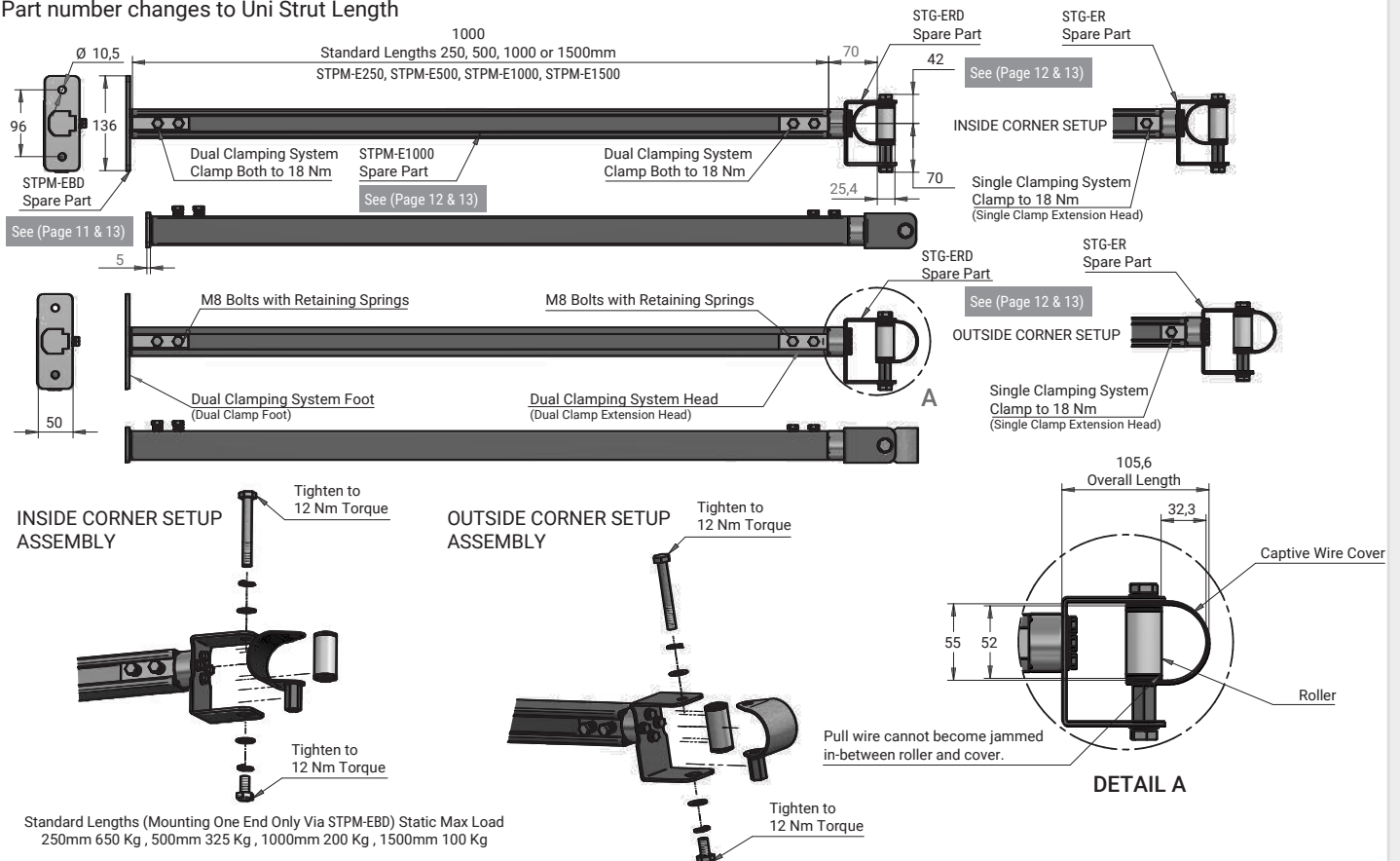
SAFE-T-ROLLER guides are designed for deviations in pull wire systems greater than 15 degrees. Roller guides allow pull wires to pass through a few deviations over 15 degrees or around a 90-degree corner once in a system.

Note: The standard AS 4024 states that pull wires need not be extended across the width of conveyors as no nip or shear points exist.

DIMENSIONS

PART No: For Complete Setup STG-ERD-E1000 / STG-ER-E1000
Part number changes to Uni Strut Length

NOTE: ARTWORK SHOWN FOR ILLUSTRATION PURPOSES



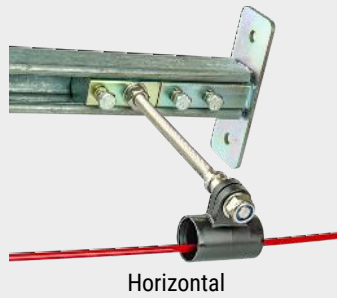
GALVANISED AND ZINC PLATED ROLLER EXTENSION PARTS
ALSO IN STAINLESS STEEL

⊕ TARGETING CONVEYOR SAFETY

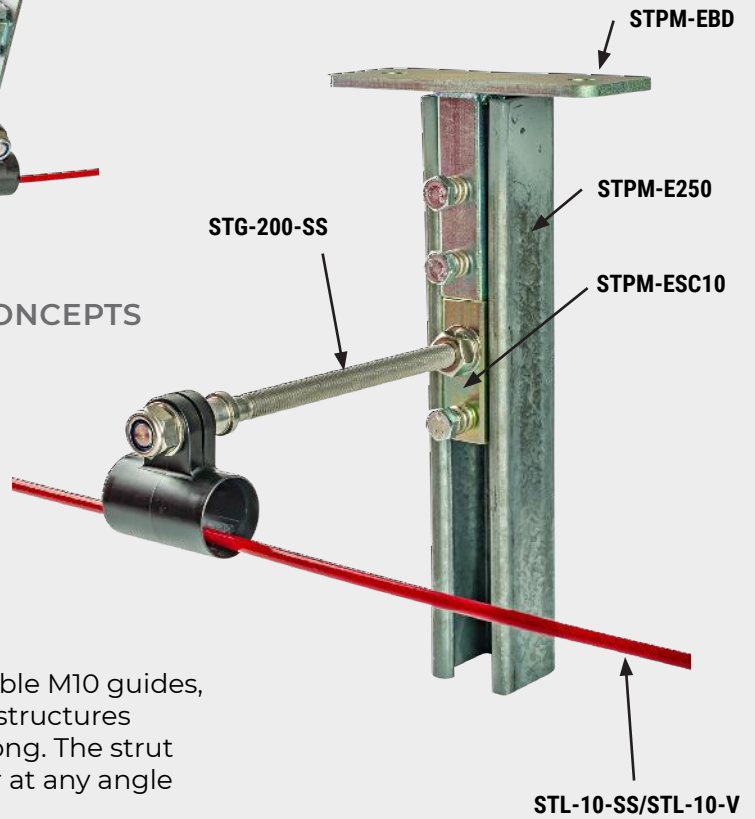
SAFE-T-GUIDE®

GUIDE TYPES

SEE INSTALLATION INSTRUCTION FOR MORE DETAILS

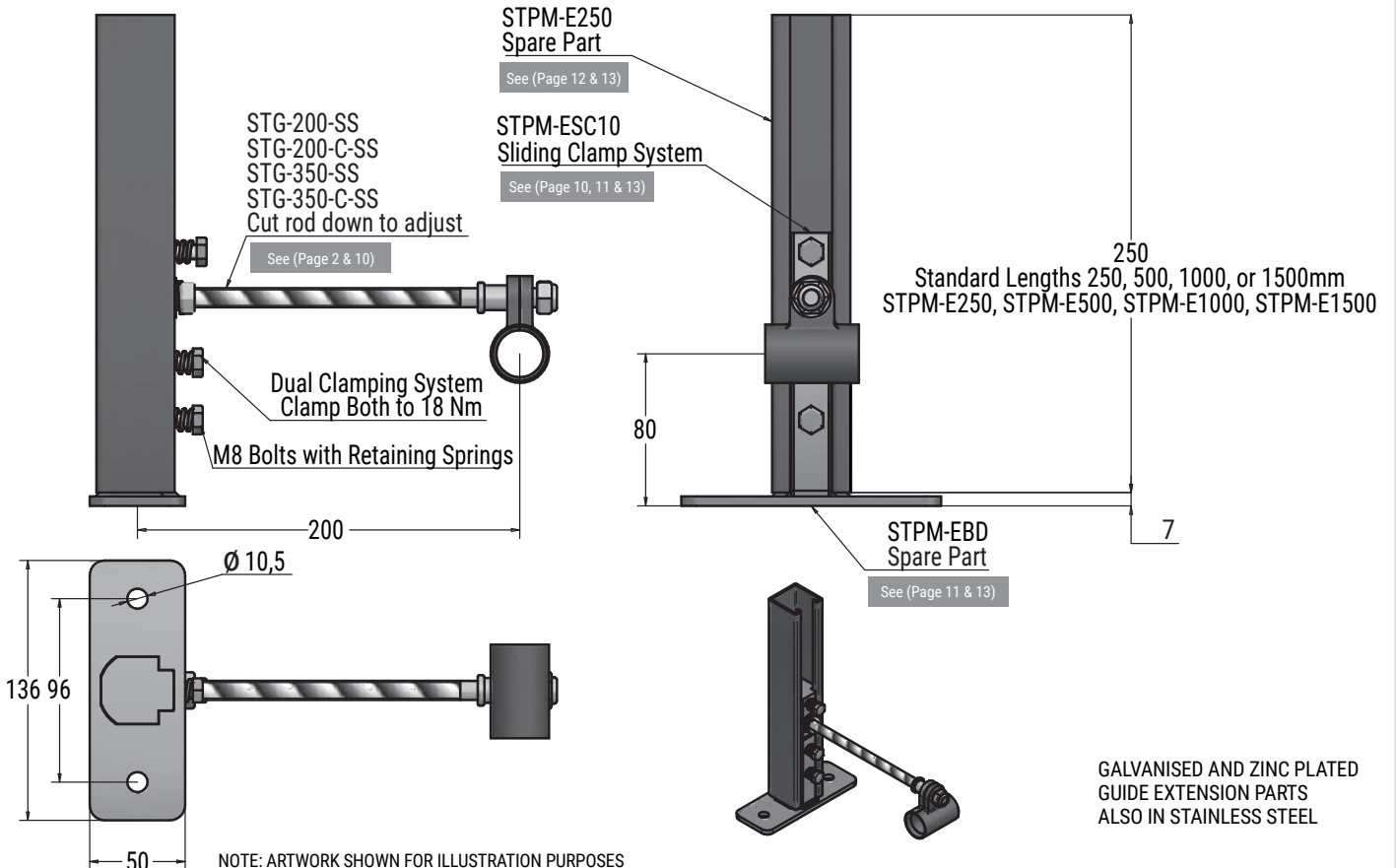


INSTALLATION CONCEPTS



SAFE-T-GUIDE slider clamps (STPM-ESC10) enable M10 guides, or any other M10 components to be mounted to structures via 41mm x 41mm strut sections up to 1500mm long. The strut sections can be installed vertically, horizontally or at any angle necessary.

DIMENSIONS



SIGN TYPES

SEE INSTALLATION INSTRUCTION FOR MORE DETAILS



STG-ES-P



STG-ES-SS



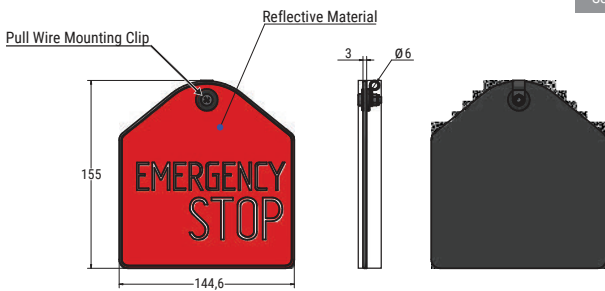
STG-ES-PR

The **SAFE-T-SIGN** is a highly reflective emergency stop sign for pull wire systems. The sticker's high-grade reflective material and the UV stable ink used to print the design on the material, ensures high visibility and durability in any environment. Being reflective makes for safer pull wire systems, especially in the dark, allowing users to see the information clearly and easily. The backing is manufactured from either 304 stainless steel or polypropylene plastic. With one 13mm mounting hole or pull wire mounting clip, the sign is simple to install on existing or new rope guides or pull wires. The Australian Standard AS4024.3610 Clause 2.10.6.1 states that signs should be installed at the head, tail, and any transfer point and at no more than 30m intervals wherever a pull wire is situated along a conveyor.

DIMENSIONS

PART No: STG-ES-PR

See (Page 10)

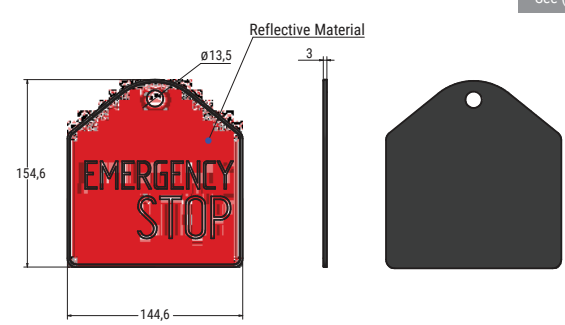


PULL WIRE MOUNTING SIGN
 Mass: 0.032 Kg

EMERGENCY STOP SIGN ON PLASTIC BACKING PULL WIRE MOUNTED

PART No: STG-ES-P

See (Page 10)

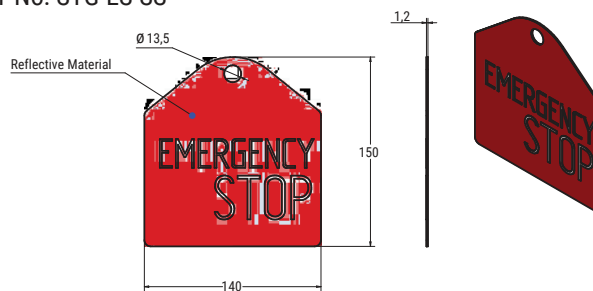


GUIDE MOUNTING SIGN
 Mass: 0.025 Kg

EMERGENCY STOP SIGN ON PLASTIC BACKING

PART No: STG-ES-SS

See (Page 10)



GUIDE MOUNTING SIGN
 Mass: 0.153 Kg

EMERGENCY STOP SIGN ON
 STAINLESS STEEL BACKING

NOTE: ARTWORK SHOWN FOR ILLUSTRATION PURPOSES

GUIDE TYPES

SEE INSTALLATION INSTRUCTION FOR MORE DETAILS

OUTSIDE CURVE DEVICE

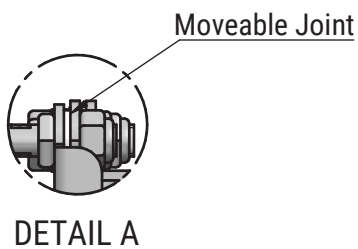
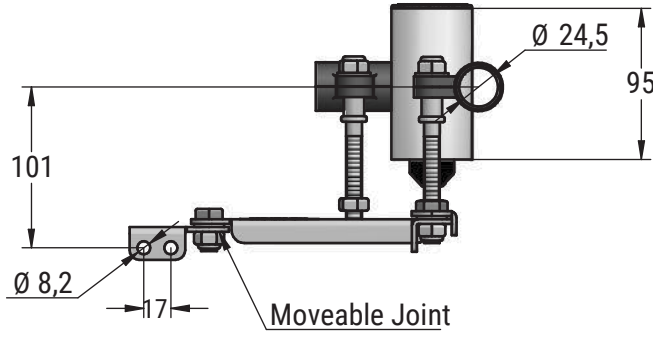
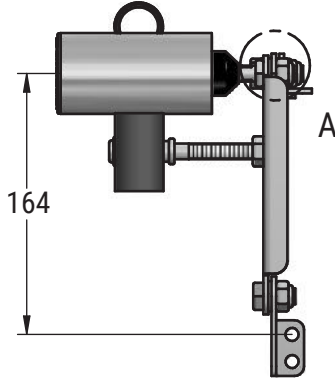
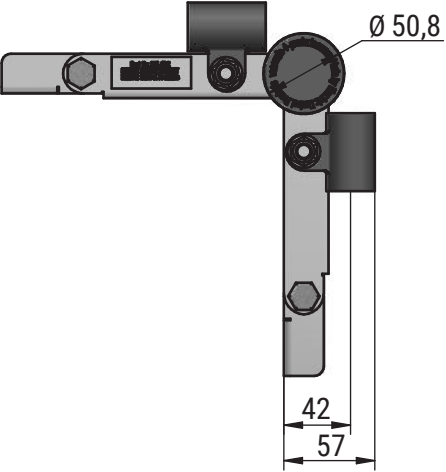
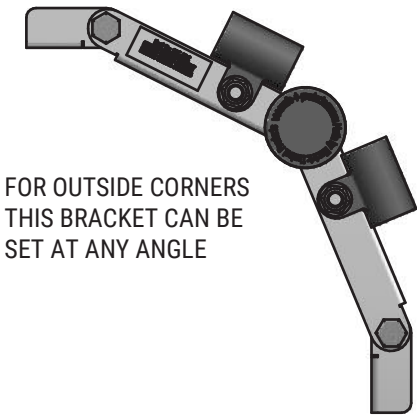
STC-CB0-SS



The **SAFE-T-CURVE** is designed for any type of rope system that requires a rope to be guided around any type of corner without becoming wedged in the device when the rope is pulled, as may occur when using standard pulleys. Pulleys must have the rope's axis continually aligned to the axis of the pulley wheel groove to work as intended. If the rope deviates away from this axis, the rope may slip out of the groove and become wedged between the pulley wheel and the cover. Because the **SAFE-T-CURVE** controls the rope's axis on the roller via two rope guides, the rope will remain free and in position even when pulled at any angle. Should the rope become loose, there is nowhere for it to become wedged on the long round smooth surface of the **SAFE-T-CURVE** roller while the guides keep the rope in position on the roller. The roller arms and mounting feet of the **SAFE-T-CURVE** are adjustable allowing the device to be installed at any angle. Regardless of the installation, the roller will remain positioned correctly and therefore keeping the rope's plane level.

DIMENSIONS

See (Page 10)

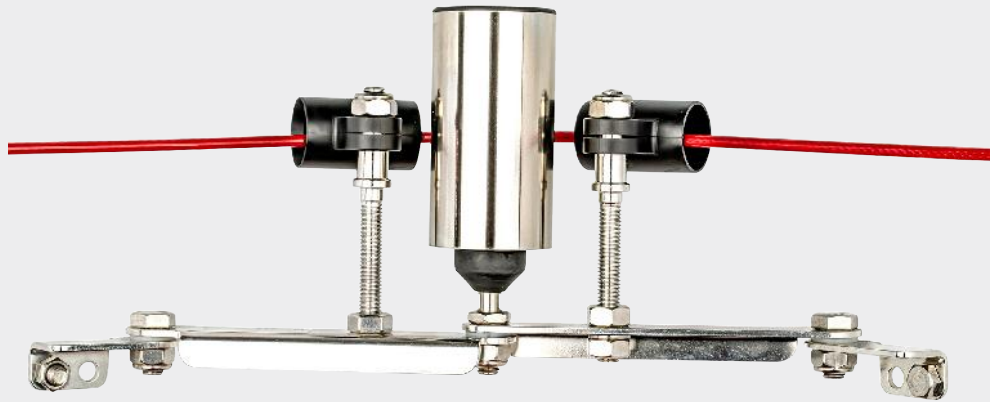


NOTE: ARTWORK SHOWN FOR ILLUSTRATION PURPOSES

GUIDE TYPES

SEE INSTALLATION INSTRUCTION FOR MORE DETAILS

INSIDE CURVE DEVICE

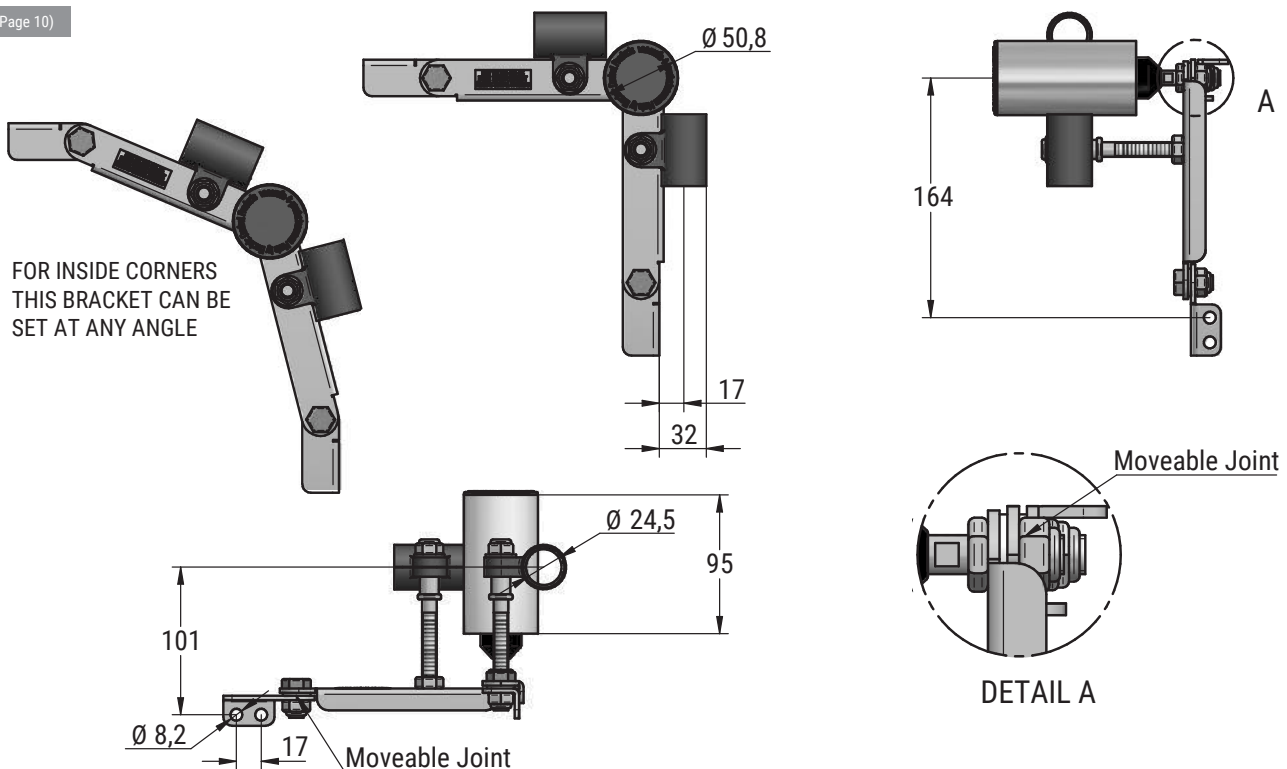


STC-CBI-SS

The **SAFE-T-CURVE** is designed for any type of rope system that requires a rope to be guided around any type of corner without becoming wedged in the device when the rope is pulled, as may occur when using standard pulleys. Pulleys must have the rope's axis continually aligned to the axis of the pulley wheel groove to work as intended. If the rope deviates away from this axis, the rope may slip out of the groove and become wedged between the pulley wheel and the cover. Because the **SAFE-T-CURVE** controls the rope's axis on the roller via two rope guides, the rope will remain free and in position even when pulled at any angle. Should the rope become loose, there is nowhere for it to become wedged on the long round smooth surface of the **SAFE-T-CURVE** roller while the guides keep the rope in position on the roller. The roller arms and mounting feet of the **SAFE-T-CURVE** are adjustable allowing the device to be installed at any angle. Regardless of the installation, the roller will remain positioned correctly and therefore keeping the rope's plane level.

DIMENSIONS

See (Page 10)

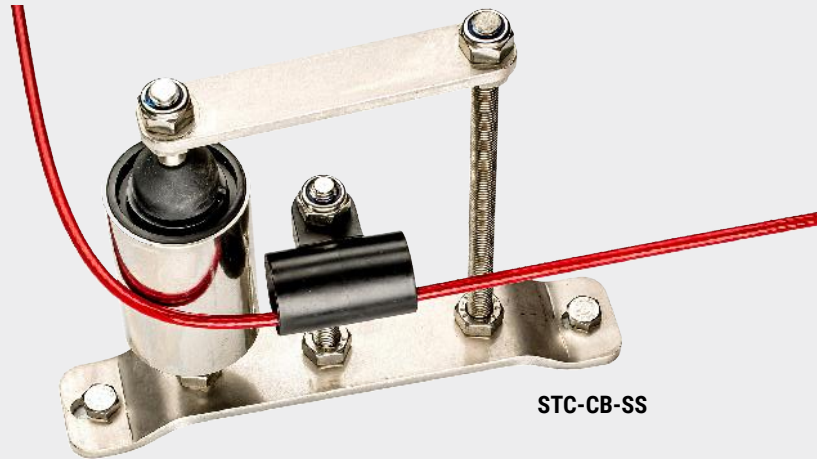


NOTE: ARTWORK SHOWN FOR ILLUSTRATION PURPOSES

GUIDE TYPES

SEE INSTALLATION INSTRUCTION FOR MORE DETAILS

CORNER DEVICE

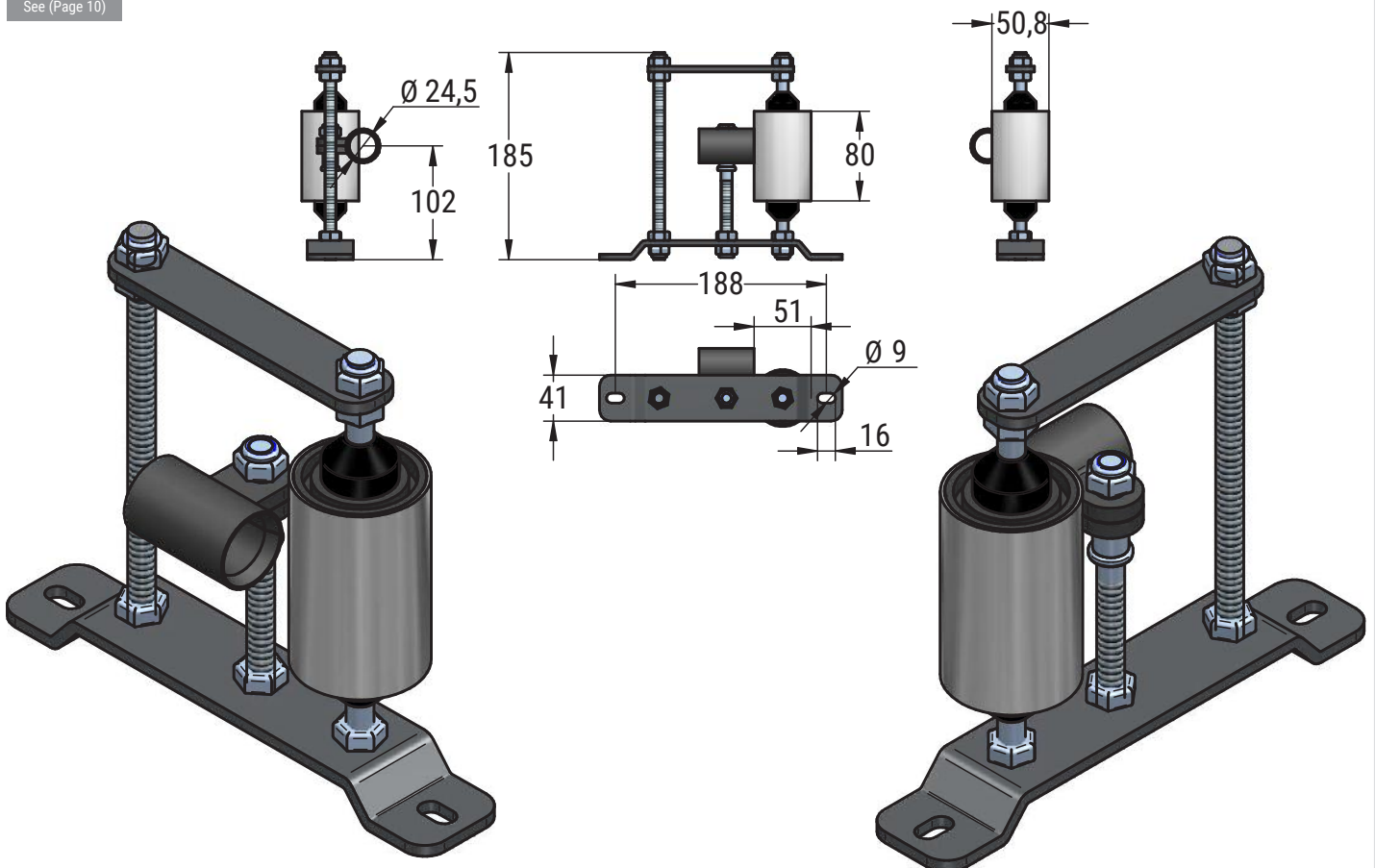


STC-CB-SS

The **SAFE-T-CORNER** is designed for any type of rope system that requires a rope to be guided around any deviation without becoming wedged in the device when the rope is pulled, as may occur when using standard pulleys. Pulleys must have the rope's axis continually aligned to the axis of the pulley wheel groove to work as intended. If the rope deviates away from this axis, the rope may slip out of the groove and become wedged between the pulley wheel and the cover. Because the **SAFE-T-CORNER** controls the rope's axis on the roller via a single rope guide, the rope will remain free and in position even when pulled at any angle. Should the rope become loose, there is nowhere for it to become wedged on the long round smooth surface of the **SAFE-T-CORNER** roller while the guide keeps the rope in position on the roller.

DIMENSIONS

See (Page 10)



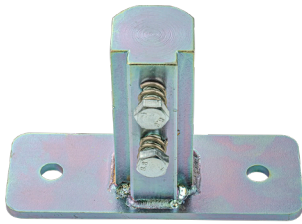
NOTE: ARTWORK SHOWN FOR ILLUSTRATION PURPOSES

PART NUMBERS

ROD MOUNTED PULL WIRE GUIDES (PAGE 2)						STAINLESS STEEL	
Mounted on a 200mm Long 304 Rod						STG-200-SS	
Mounted on a 200mm Long 304 Rod with SS Rope Guide Protective Cover						STG-200-C-SS	
Mounted on a 350mm Long 304 Rod						STG-350-SS	
Mounted on a 350mm Long 304 Rod with SS Rope Guide Protective Cover						STG-350-C-SS	
Rope Guide						STG-90	
Stainless Steel Rope Guide Cover (Suit STG-90)						STG-C	
STRUT MOUNTED PULL WIRE GUIDES (PAGE 3)						GALVANISED STEEL STRUT AND ZINC MOUNTING	STAINLESS STEEL STRUT AND MOUNTING
Mounted on Single Clamp Extension Head, with 250mm Long Strut and Dual Clamp Foot						STG-EG-E250	STG-EG-E250-SS
Mounted on Dual Clamp Extension Head, with 250mm Long Strut and Dual Clamp Foot						STG-EGD-E250	STG-EGD-E250-SS
Mounted on Single Clamp Extension Head, with 250mm Long Strut with SS Rope Guide Protective Cover and Dual Clamp Foot						STG-EGC-E250	STG-EGC-E250-SS
Mounted on Dual Clamp Extension Head 250mm Long Strut, with SS Rope Guide Protective Cover and Dual Clamp Foot						STG-EGDC-E250	STG-EGDC-E250-SS
Other Lengths Available		500mm	1000mm	1500mm	E.G.	STG-EGC-E1000 or STG-EGC-E1000-SS	
STRUT MOUNTED ROLLER GUIDES (PAGE 4)							
Mounted on Single Clamp Extension Head, with 250mm Long Strut and Dual Clamp Foot						STG-ER-E250	STG-ER-E250-SS
Mounted on Dual Clamp Extension Head, with 250mm Long Strut and Dual Clamp Foot						STG-ERD-E250	STG-ERD-E250-SS
Other Lengths Available		500mm	1000mm	1500mm	E.G.	STG-ERD-E1000 or STG-ERD-E1000-SS	
STRUT MOUNTABLE SLIDER CLAMP (PAGE 5)						ZINC PLATED	STAINLESS STEEL
Single Clamp Extension Slider with M10 Mounting						STPM-ESC10	STPM-ESC10-SS
GUIDE AND PULL WIRE MOUNTED SIGNS (PAGE 6)						POLYPROPYLENE PLASTIC	STAINLESS STEEL
Emergency Stop Sign - Suitable for Guides						STG-ES-P	STG-ES-SS
Emergency Stop Sign - Suitable for Pull Wire						STG-ES-PR	NA
CURVED CORNER GUIDE DEVICE (PAGE 7 & 8)							STAINLESS STEEL
Outside Corner Dual Guide Device						STC-CB0-SS	
Inside Corner Dual Guide Device						STC-CBI-SS	
CORNER GUIDE DEVICE (PAGE 9)							STAINLESS STEEL
Single Guide Device						STC-CB-SS	

GUIDE TYPES

SEE INSTALLATION INSTRUCTION FOR MORE DETAILS



STPM-EBD

Once installed, Dual Clamp Feet enable 41 x 41mm strut sections to be attached to structures vertically, horizontally or at an angle as required. Rope Guides, Roller Guides, Switches, or other products can then be installed and aligned on the strut section with minimum effort.

Slider Clamps (STPM-ESC10) allow for mounting of products via a single M10 threaded mounting hole, these are clamped into the 41mm x 41mm strut via a single M10 clamping bolt. The Extension Rope/Roller Guide Heads (STG-EH M10 Single Clamp, STG-EHD M10 Dual Clamp) allow for the attachment of Rope Guides, M10 Pig Tails, Eye Bolts, Roller Guides (Via the 4 x M6 threaded holes) or any other products needing a M10 or M6 mounting point. The Extension Heads are clamped into 41mm x 41mm strut via either a single or dual M10 clamping bolt system.



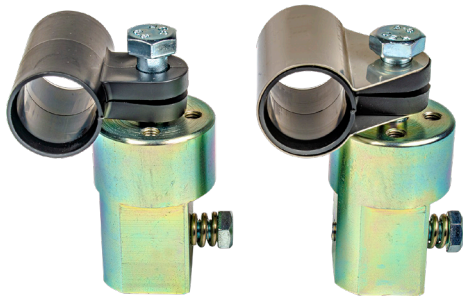
STPM-ESC10



STG-EH



STG-EHD



STG-EG

STG-EGC

Single Clamp Extension Heads come with Rope Guide, with or without stainless steel protection cover.

Dual Clamp Extension Heads come with Rope Guide, with or without stainless steel protection cover.



STG-EGD

STG-EGCD

GUIDE TYPES

SEE INSTALLATION INSTRUCTION FOR MORE DETAILS

STPM-E250



STPM-E500



STPM-E1000

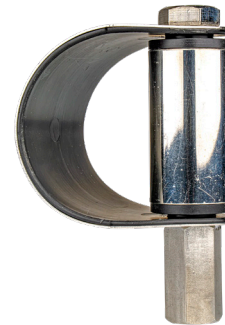


STPM-E1500



41 x 41mm Mounting Strut sections are available in 250mm, 500mm, 1000mm or 1500mm lengths.

Roller Guides without mounting brackets, can be bolted to structures via M10 mounting point.



STG-R



STG-RC

Roller Guides with mounting brackets, can be bolted to Extension Heads or Structures via M6 mounting points.

(Supplied as Inside Corner Roller for compact packing, the product can be easily changed on-site as per instructions.)

Single and Dual Clamp Extension Heads with Roller Guides can be fitted to 41mm x 41mm strut sections.

(Supplied as Inside Corner Roller for compact packing, the product can be easily changed on-site as per instructions.)

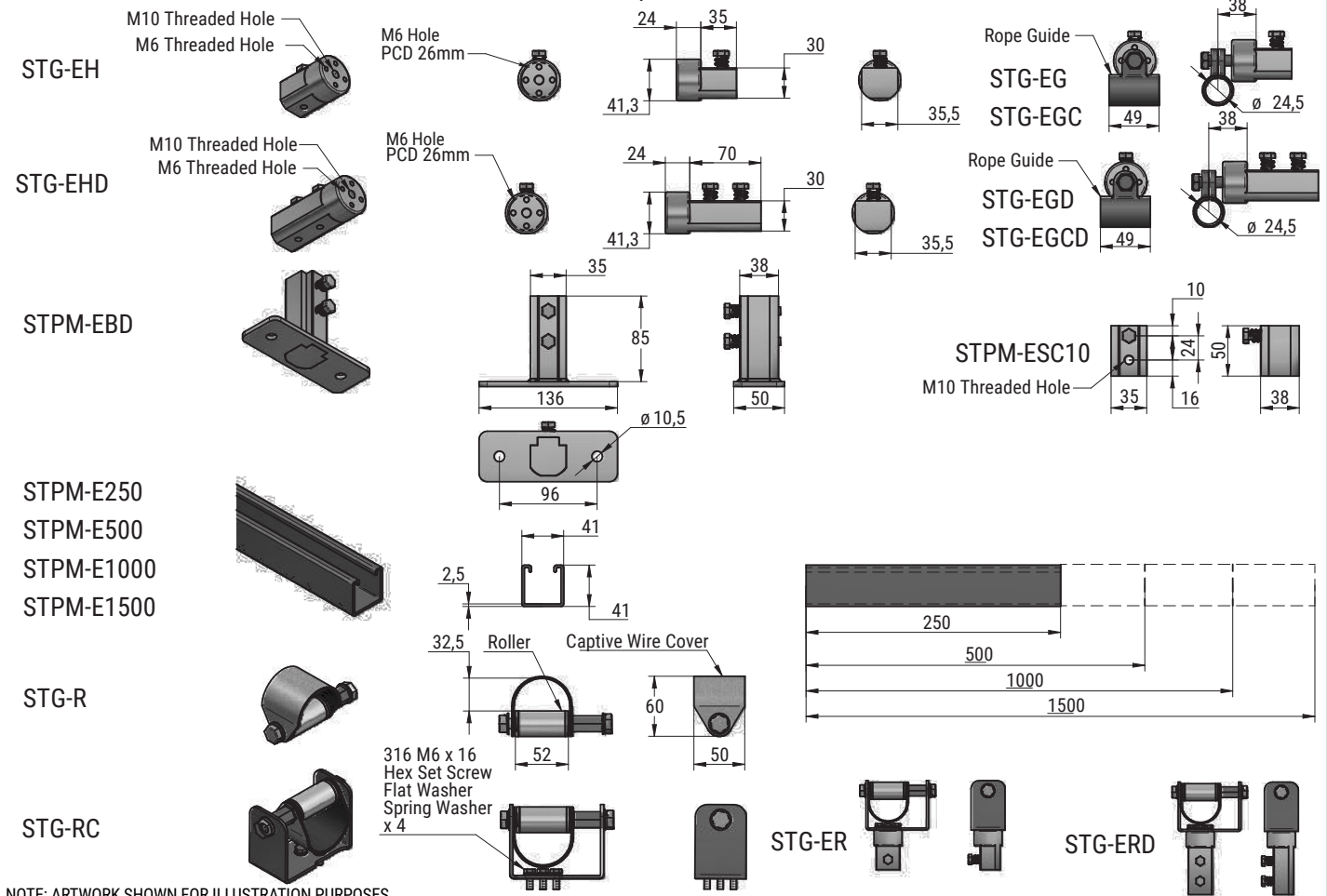


STG-ERD

STG-ER

DIMENSIONS

EXTENSION GUIDE/ROLLER SPARE PARTS



NOTE: ARTWORK SHOWN FOR ILLUSTRATION PURPOSES

EXTENSION ROPE GUIDE / ROLLER GUIDE PARTS	ZINC MOUNTING AND GALVANISED STEEL STRUT	STAINLESS STEEL MOUNTING AND STRUT
Single Clamp Extension Head	STG-EH	STG-EH-SS
Dual Clamp Extension Head	STG-EHD	STG-EHD-SS
Single Clamp Extension Slider with M10 Mounting	STPM-ESC10	STPM-ESC10-SS
Single Clamp Extension Head with Rope Guide	STG-EG	STG-EG-SS
Single Clamp Extension Head with Rope Guide and Stainless Steel Protection Cover	STG-EGC	STG-EGC-SS
Dual Clamp Extension Head with Rope Guide	STG-EGD	STG-EGD-SS
Dual Clamp Extension Head with Rope Guide and Stainless Steel Protection Cover	STG-EGCD	STG-EGCD-SS
Dual Clamp Foot For 41 x 41mm Strut	STPM-EBD	STPM-EBD-SS
41 x 41mm Strut 250mm Long	STPM-E250	STPM-E250-SS
41 x 41mm Strut 500mm Long	STPM-E500	STPM-E500-SS
41 x 41mm Strut 1000mm Long	STPM-E1000	STPM-E1000-SS
41 x 41mm Strut 1500mm Long	STPM-E1500	STPM-E1500-SS
Roller Guide Without Mounting Bracket	NA	STG-R
Roller Guide with Mounting Bracket	NA	STG-RC
Single Clamp Extension Head with Roller Guide	STG-ER	STG-ER-SS
Dual Clamp Extension Head with Roller Guide	STG-ERD	STG-ERD-SS