

SAFE-T-DRIFT

ROLLER TYPES

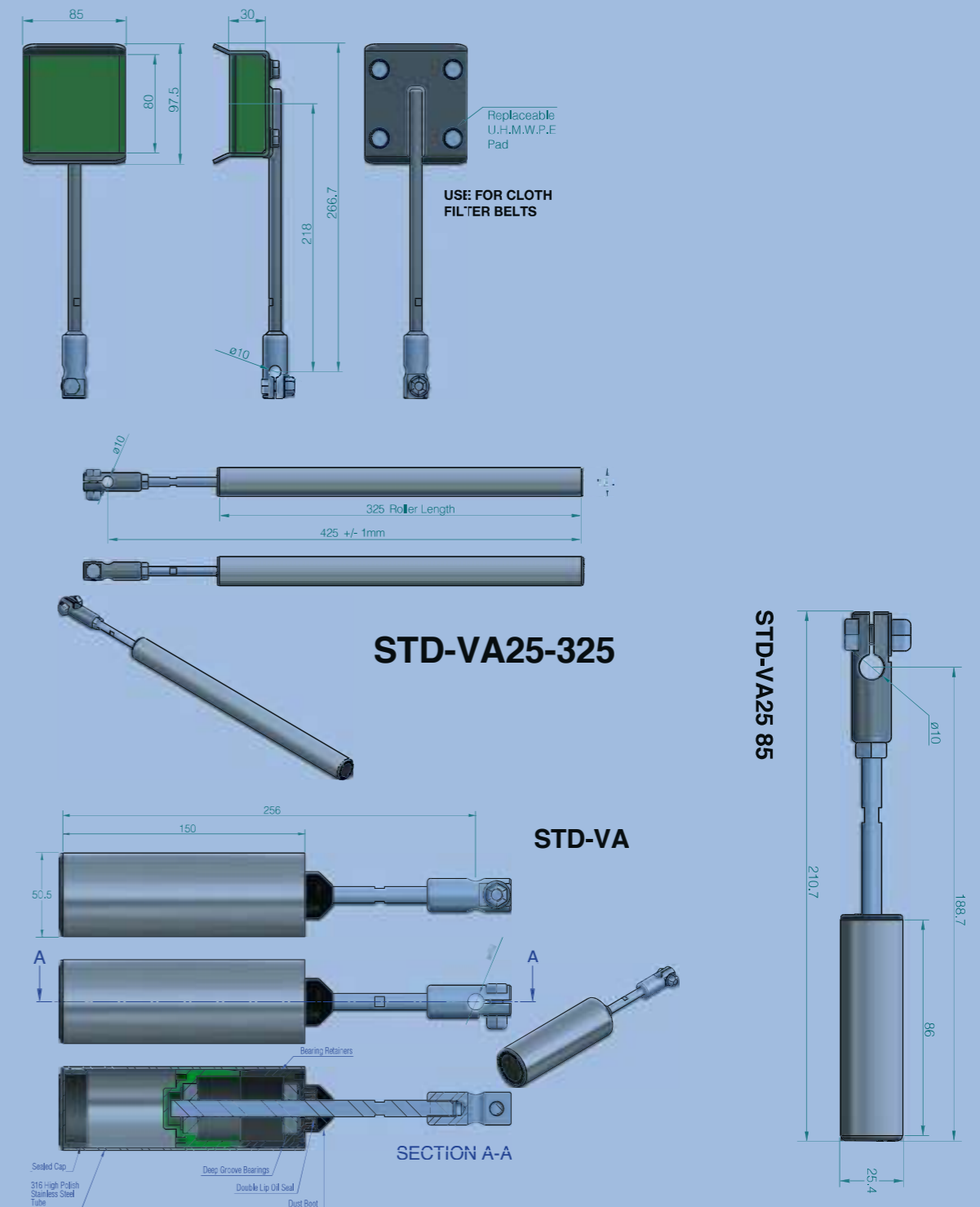


The large range of **SAFE-T-DRIFT** rollers are all fitted with high speed bearings rated for belt speeds of over 16m per second. The rollers are sealed to IP67 with Double Lip Oil Seals and Dust Boots so they can be mounted in any position. The various types and styles of rollers will suit and situation. All the rollers are manufactured from 316 high polished stainless steel tube, designed to with stand the harsh environments they are used in.

ROLLER TYPES

SAFE-T-DRIFT

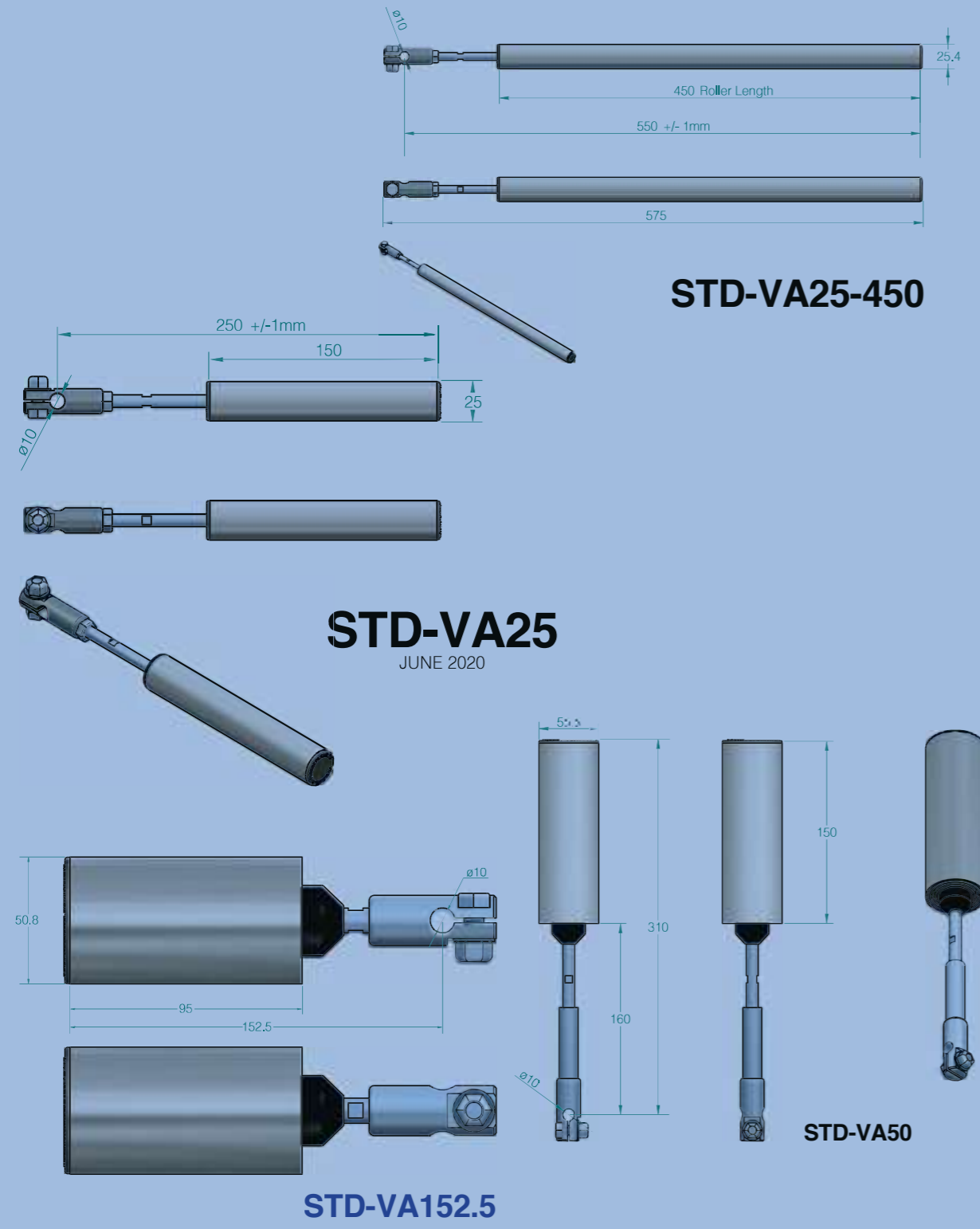
ROLLER TYPES



ROLLER TYPES

SAFE-T-DRIFT®

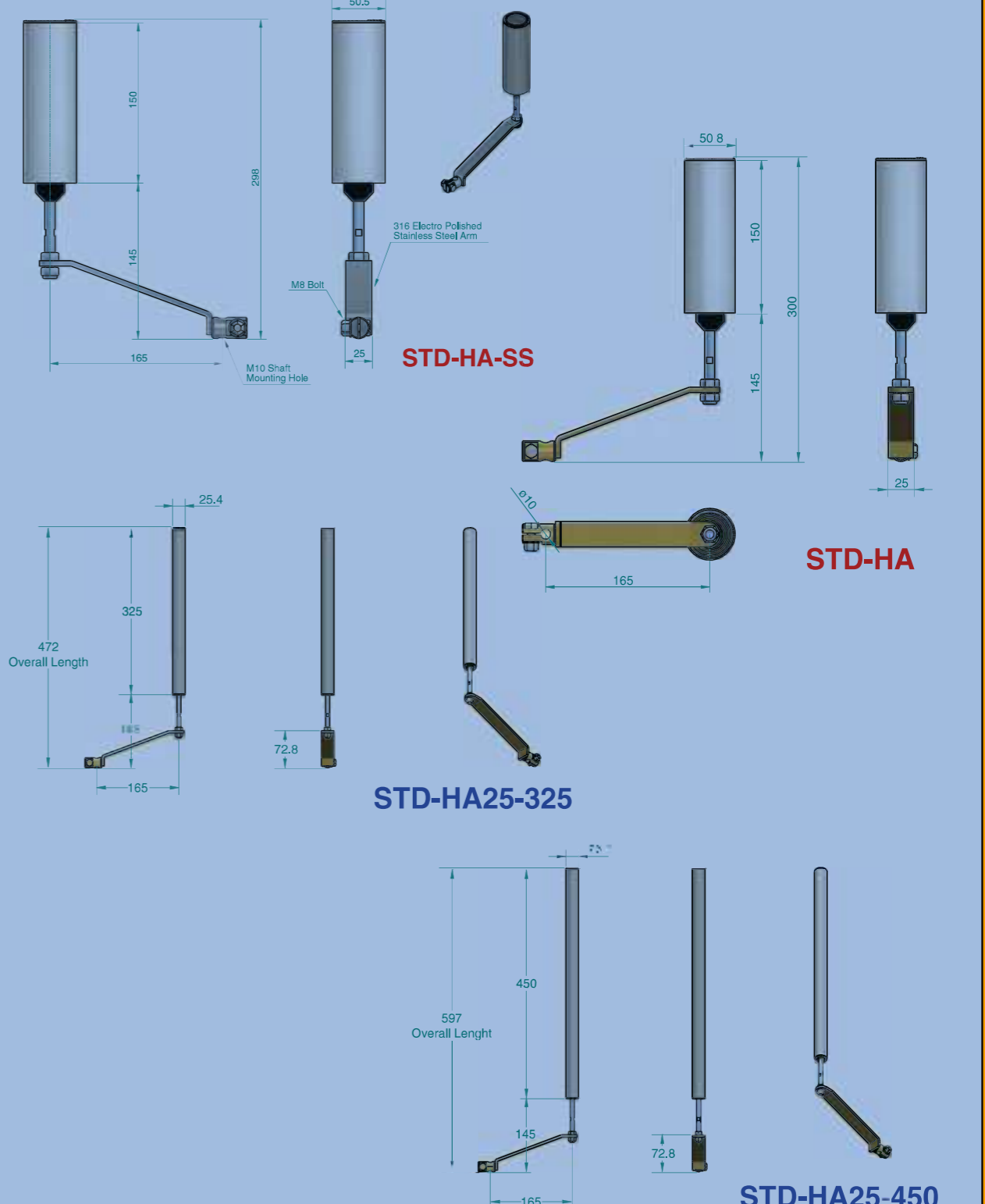
ROLLER TYPES



ROLLER TYPES

SAFE-T-DRIFT®

ROLLER TYPES



ROLLER TYPES

