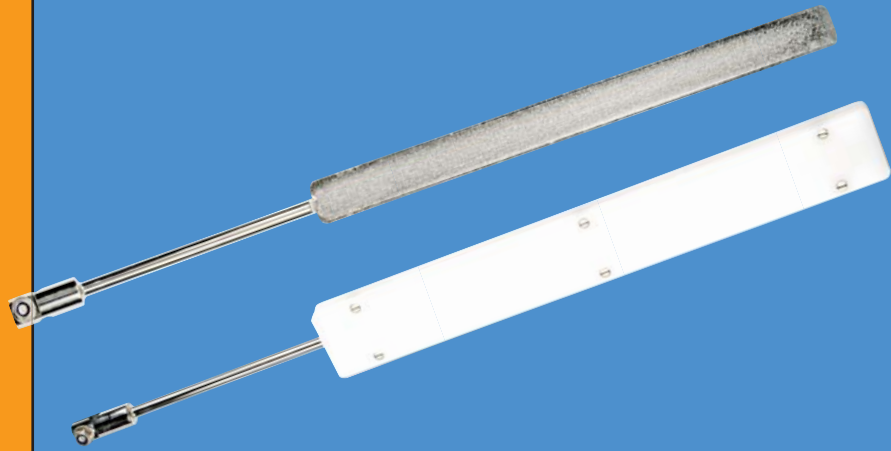
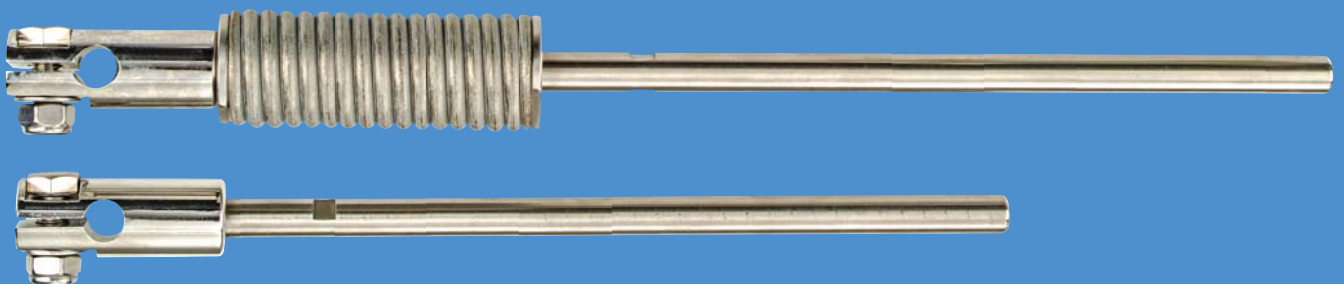


# SAFE-T-LIMIT®

## ARM and ROLLER TYPES



The range of **SAFE-T-LIMIT** arms and rollers makes simple work of applying a protective stop control limit to a part of moving machinery that needs this type of control. With the easy adaption to the **SAFE-T-LIMIT** protective stop control switch, the machinery can then have a controlled limit stop. The rollers are IP 66/67 rated with sealed bearings and dust boot in place to allow for ease of movement when the moving machinery contacts the arm. The dust boot design allows the arm to be mounted upside down if needed. The conveyor material flow paddle arm can be supplied as either an electro polished 316 stainless steel paddle arm or have a U.H.M.W.P.E cover fitted. The clamping system on the arms attaches to a M10 shaft with a simple clamping system that allows the arm to be mounted at any rotation angle.



## ARM and ROLLER TYPES

# SAFE-T-LIMIT<sup>®</sup>

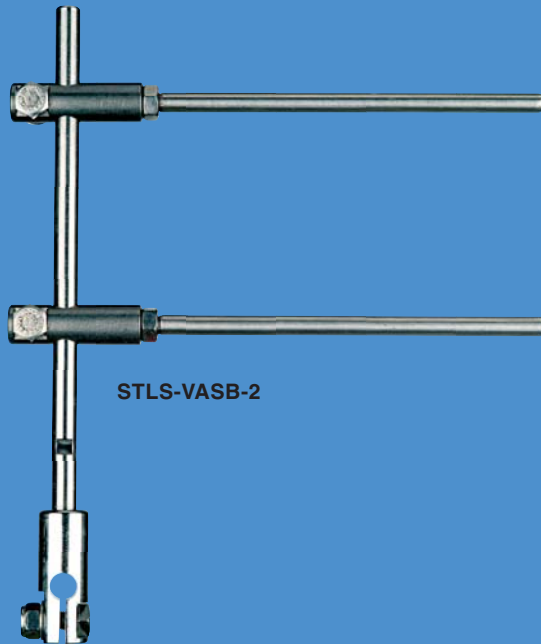
## ARM and ROLLER TYPES



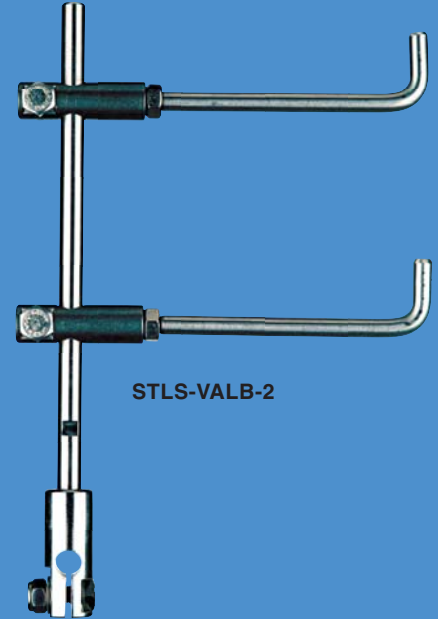
STLS-PAC



STLS-PA



STLS-VASB-2



STLS-VALB-2



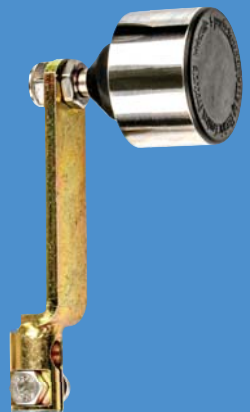
STLS-VASR



STLS-HA-SS  
Also Available In Plated  
Mild Steel



STLS-LA-SS  
Also Available In Plated  
Mild Steel



STLS-LA  
Also Available In  
Stainless Steel



STLS-VA

Manufactured in  
Australia by:

18 Tambrey Way, Malaga  
Western Australia 6090

Telephone: (08) 9247 6700

Facsimile: (08) 9248 6292

 **Electric  
Control**  
PRODUCTS

[www.safe-t-products.com.au](http://www.safe-t-products.com.au)

Sold by:

PUB. No. STLS-ARM DEL 08015A 01/21

## ARM and ROLLER TYPES