

Thermo Tilt™ Probe Switch

Monitoring of conveyor dead shaft tail rollers



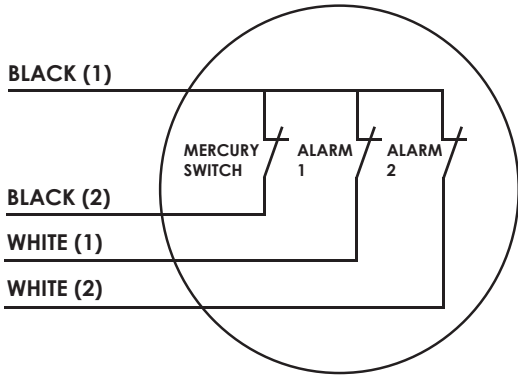
Monitors shaft angle & temperature at the bearing on;

- Dead shaft tail rollers
- Dead shaft pulley rollers

The Thermo tilt Probe switch brings together proven tilt switch technology and temperature monitoring via thermostats & Mercury Switch.

Each unit is factory tested to confirm operation within tolerances and is supplied with easy to understand installation instructions.

200mm



Specifications	LTT70903-02	
Casing	316 Stainless steel	
Electronics	Passive device	
Sealant	Polyurethane - Totally encapsulated	
Electrical	24V AC/DC - 1A resistive	
Operating Temp	Alarm 1:	70°C (open +/- 5°C, Reset (close) 50°C)
	Alarm 2:	90°C (open +/- 5°C, Reset (close) 70°C)
Safety	All metal parts are bonded to the earth core in cable.	
Cable length	Fully screened 0.5mm ² DEKRON cable 3 metres length (standard)	
Cable protection	Stainless steel flexible conduit 2.5 metres	
Tilt orientation	Contacts open approx 15 degrees from the horizontal line on case	
Max. Temp	160°C (long term exposure limit).	
Thread	M12 (others available on request)	

Simply contact Leveltec to obtain the product that suits you...!!

Note: all information is subject to change & images are for illustration purposes only.