



Fixed Tilt Switch

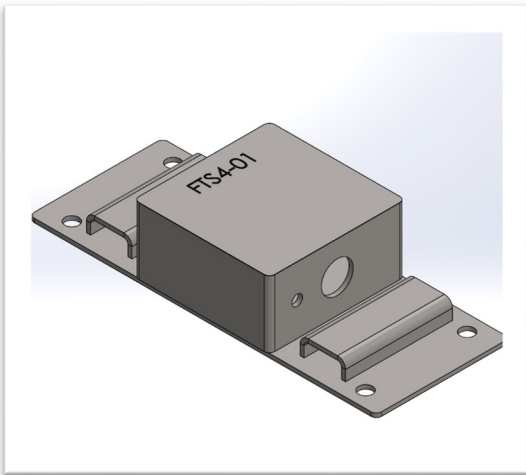
FTS Dual Tilt Detection for Mechanical applications



Model description

*Reliable * Economical * Robust*

FEATURES & BENIFITS



The FTS Dual tilt detection tilt switch has, as standard, two individual 4-axis switches that are configured to give a **Dual Contact** output from a single device.

The device detects changed orientation once the FTS is tilted approximately 15 degrees from horizontal.

The FTS can be either strapped or bolted to a structure and is cased in a fully encapsulated **heavy duty stainless steel** enclosure with mechanical protection for the oil resistant cable.

All metallic parts are bonded via the earth core in the cable

Order Details:

FTS4-01

Fixed Tilt Dual Tilt Switch

Part No.

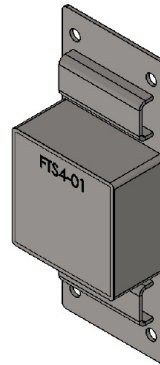
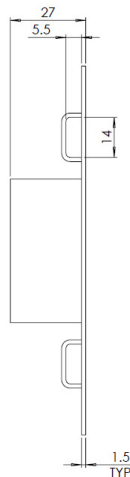
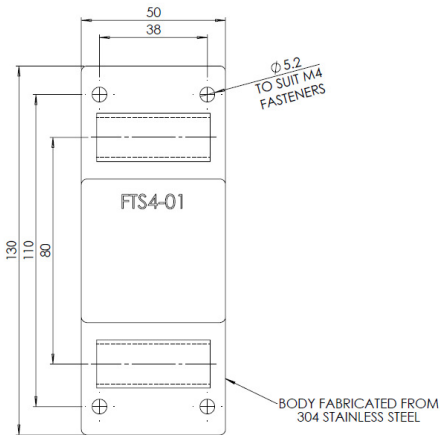
LTS-FTS0010





FTS4-01

Mounting

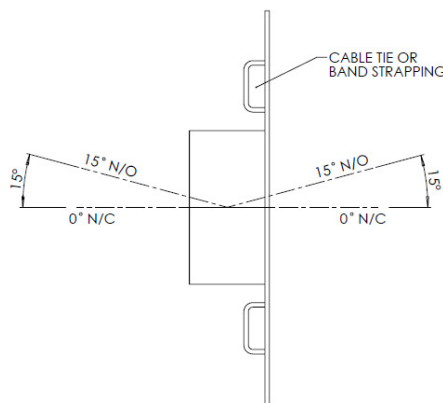
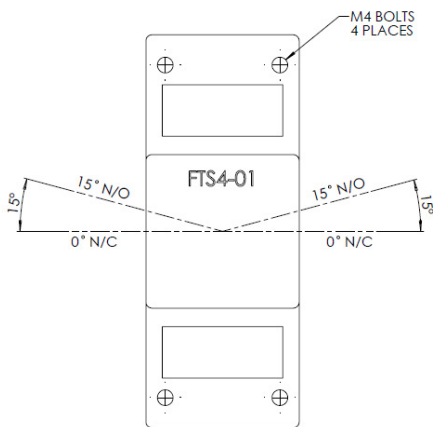


The FTS must be installed so the switch is horizontal.

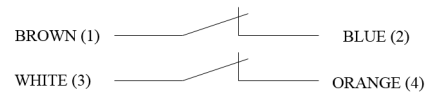
The 0 degrees line shown below is the horizontal reference. The switch label also has a direction and line to assist with installation.

Fasteners & Cable tie/ bandit strapping not supplied.

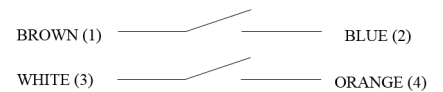
Electrical



TILT SWITCH IN HORIZONTAL POSITION



TILT SWITCH IN TILT POSITION



Specification	FTS4-01 (other configurations available on request)
Switch Rating	2 x Individual 24V AC/DC 1A Resistive—Sealed Mercury Switches—Passive device
Casing	Stainless steel fully encapsulated, bonded via earth core
Cable	4m x 4C+E, with stainless steel conduit for the first two metres
Temperature	0-75 degrees C
Tilt Orientation	Contacts change from NC to NO approximately 15 degrees in all planes from horizontal.

Simply contact Leveltec to obtain the product that suits you...!!

Note: all information is subject to change & images are for illustration purposes only

Leveltec Engineering Pty Ltd

Gloucester P: +61 2 6558 9264 F: + 61 2 6558 1002

Sydney P: +61 2 9299 5630 F: + 61 2 6558 1002

NZ Office P: +64 4 896 6285 F: +64 4 896 6271

E: sales@leveltec.com.au

website: www.leveltec.com.au