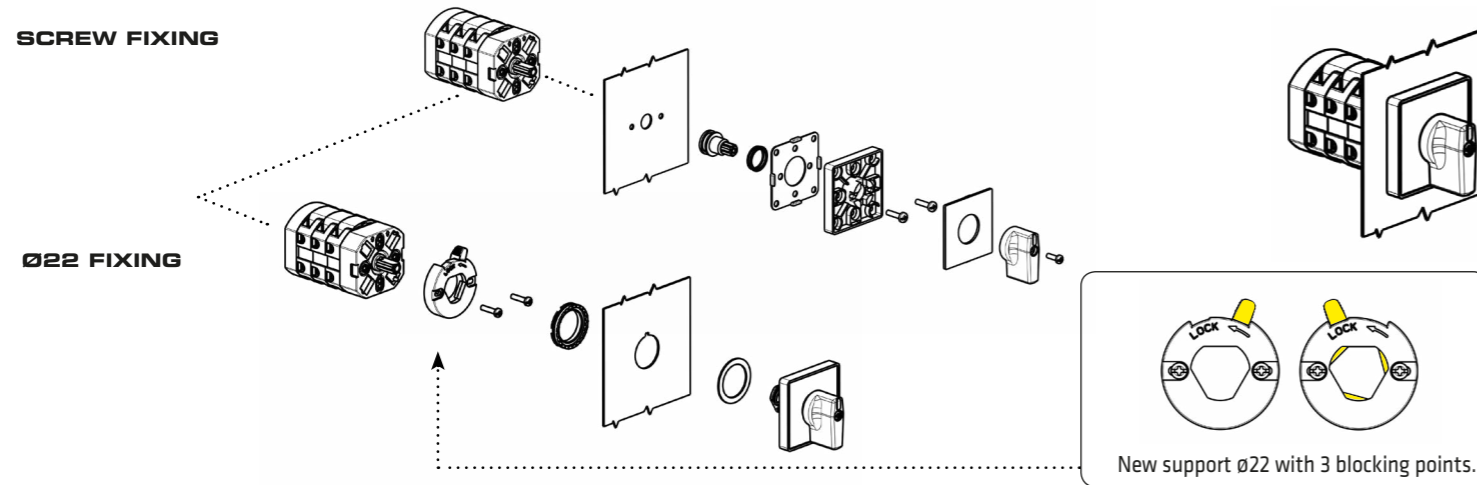


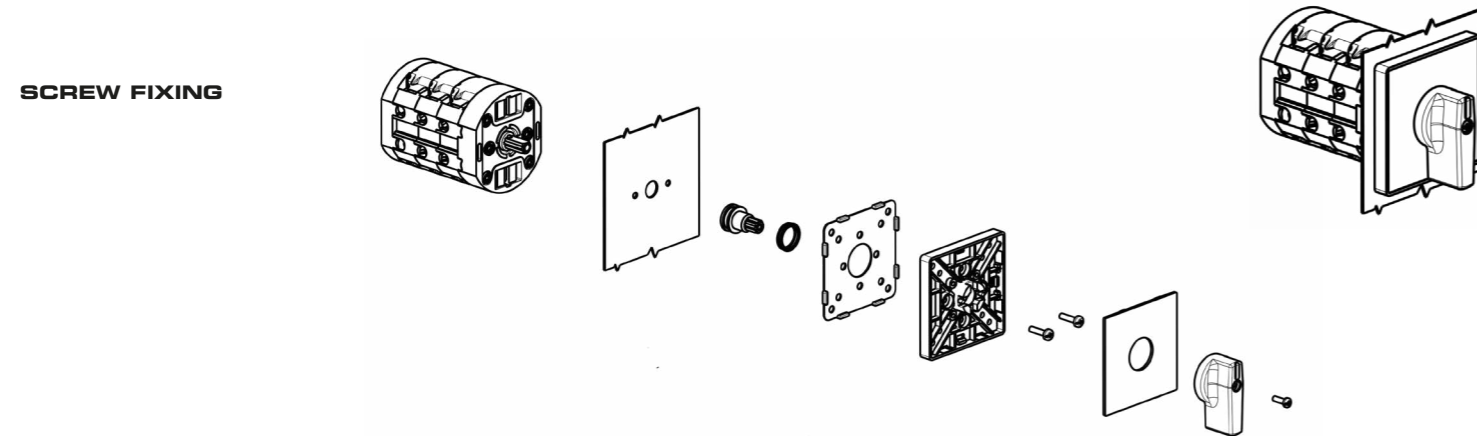


**REAR PANEL MOUNTING**

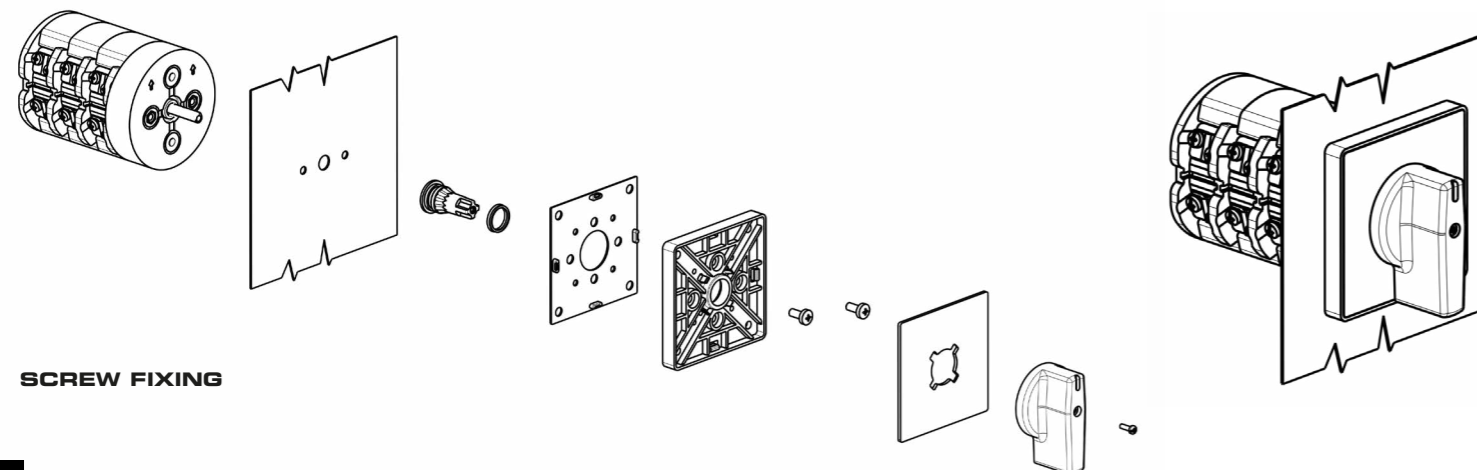
| RANGE AC21A | 12A - 16A - 20A |



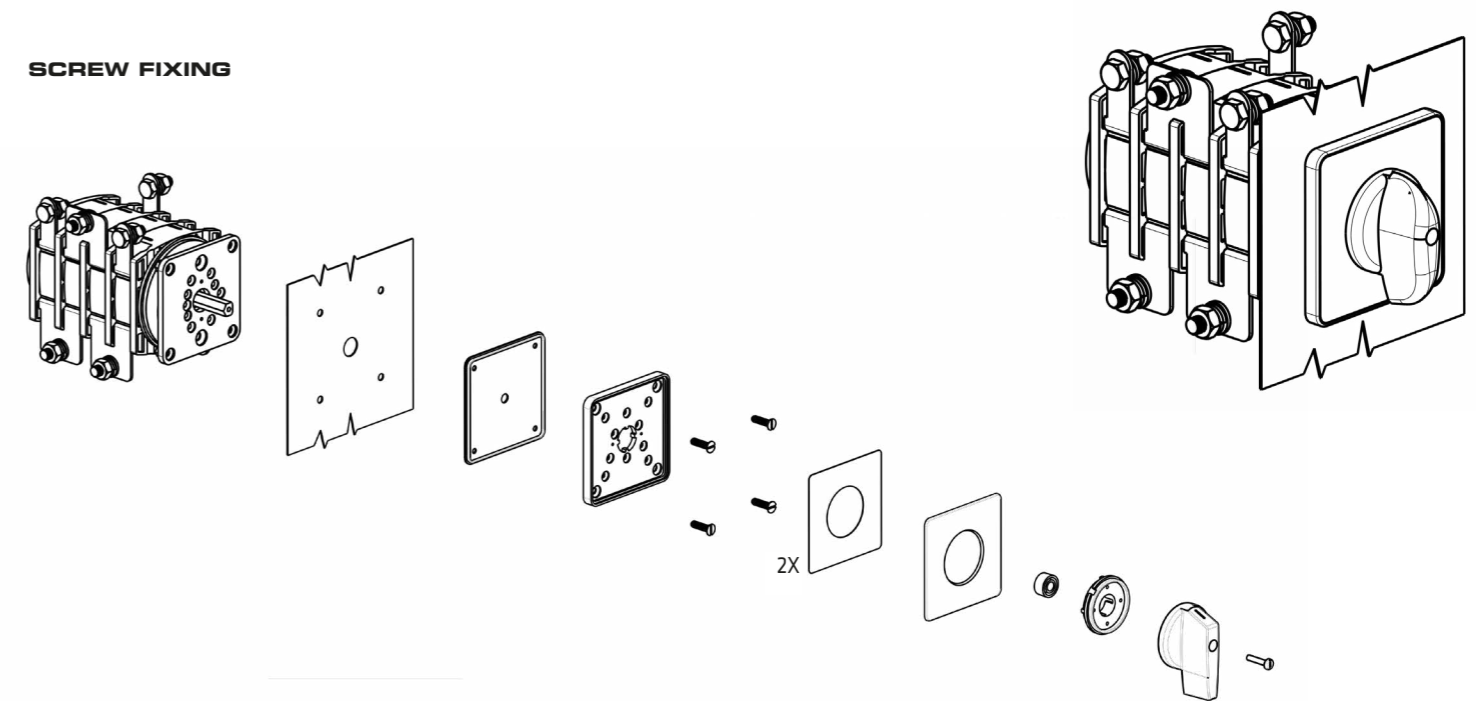
| RANGE AC21A | 25A - 32A - 40A |



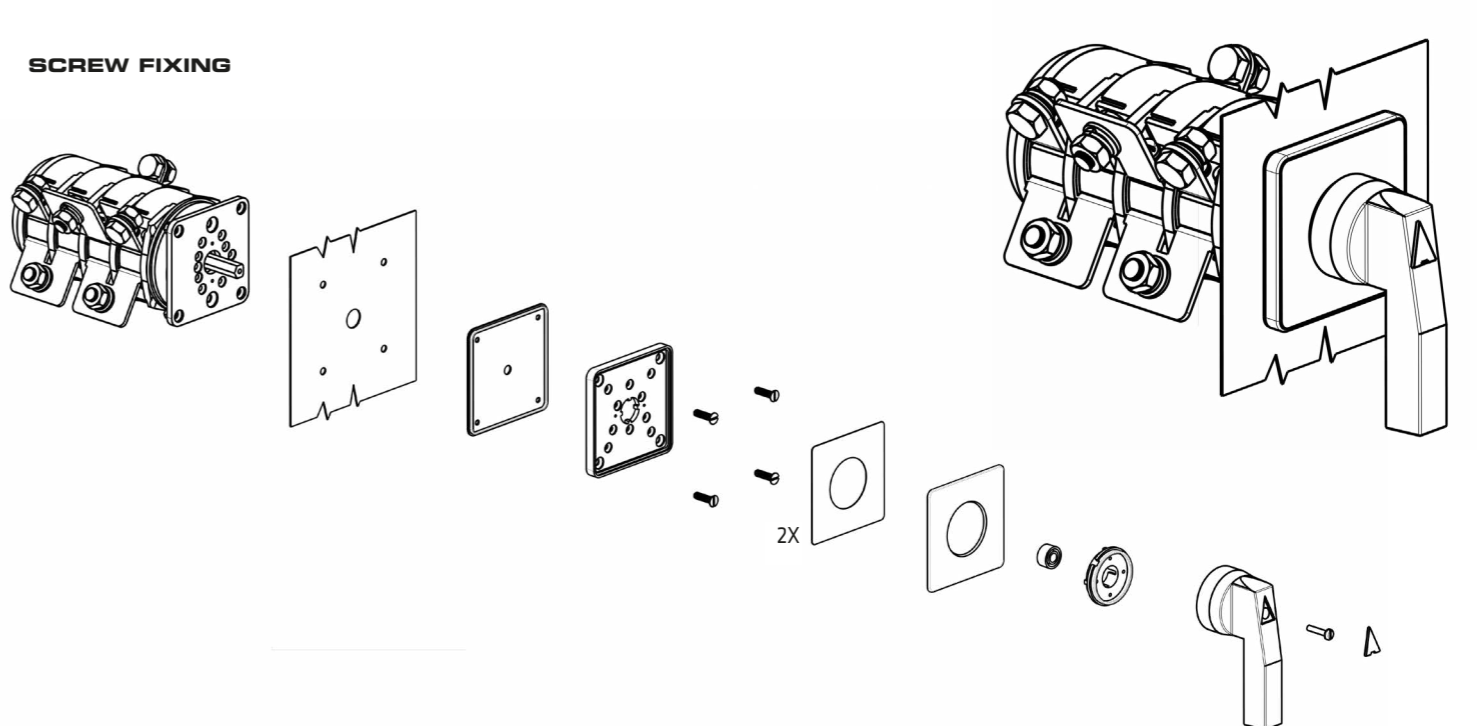
| RANGE AC21A | 63A - 80A |



| RANGE AC21A | 125A |



| RANGE AC21A | 200A |





**REAR PANEL MOUNTING**

**PROTECTION CLASS EN60529 - IP65 UL50 NEMA TYPE 1-4-4X-12**

	12-16-20A		90°
	25-32-40A		90°
	63-80A		1 2
	125A		1 3 2 4
	200A		1 3 5 2 4 6
	200A		1 3 5 7 2 4 6 8
	200A		1 3 5 7 9 2 4 6 8 10
	200A		1 3 5 7 9 11 2 4 6 8 10 12
	200A		1 3 5 2 4 6

SERIES	AC21A	1 POLE	2 POLES	3 POLES	4 POLES	5 POLES	6 POLES	3 POLES WITH SPRING RETURN TO ZERO
P012	12A	P0120001R	P0120002R	P0120003R	P0120004R	P0120005R	P0120006R	P0120007R
P016	16A	P0160001R	P0160002R	P0160003R	P0160004R	P0160005R	P0160006R	P0160007R
P020	20A	P0200001R	P0200002R	P0200003R	P0200004R	P0200005R	P0200006R	P0200007R
C025	25A	C0250001R	C0250002R	C0250003R	C0250004R	C0250005R	C0250006R	C0250007R
C032	32A	C0320001R	C0320002R	C0320003R	C0320004R	C0320005R	C0320006R	C0320007R
C040	40A	C0400001R	C0400002R	C0400003R	C0400004R	C0400005R	C0400006R	C0400007R
C063	63A	C0630001R	C0630002R	C0630003R	C0630004R	C0630005R	C0630006R	-
C080	80A	C0800001R	C0800002R	C0800003R	C0800004R	C0800005R	C0800006R	-
G125	125A	-	G1250002R	G1250003R	G1250004R	-	G1250006R	-
G200	200A	-	G2000002R	G2000003R	G2000004R	-	G2000006R	-

ACTUATOR	FIXING	P012 - P016 - P020				C025 - C032 - C040			C063 - C080		G125	G200
		90°	90°	45°	NO	90°	90°	45°	90°	90°	90°	90°
	screw	001/0001	001/0001-1	001/0007	-	007/0001	007/0001-1	007/0007	201/0001	201/0001-1	441/0001	461/0001
	ø22	056X/0001	056X/0001-1	056X/0007	-	-	-	-	-	-	-	-
	screw	002/0001	002/0001-1	002/0007	-	008/0001	008/0001-1	008/0007	-	-	-	-
	ø22	058X/0001	058X/0001-1	058X/0007	-	-	-	-	-	-	-	-
	screw	003/0001	003/0001-1	003/0007	-	003/0001	003/0001-1	003/0007	-	-	-	-
	ø22	059X/0001	059X/0001-1	-	-	-	-	-	-	-	-	-
	screw	004/0001	004/0001-1	004/0007	-	004/0001	004/0001-1	004/0007	-	-	-	-
	ø22	060X/0001	060X/0001-1	-	-	-	-	-	-	-	-	-
	screw	009/0001	009/0001-1	009/0007	-	009/0001	009/0001-1	009/0007	209/0001	209/0001-1	449/0001	449/0001
	ø22	061X/0001	061X/0001-1	061X/0007	-	-	-	-	-	-	-	-
	screw	010/0001	010/0001-1	010/0007	-	010/0001	010/0001-1	010/0007	210/0001	210/0001-1	450/0001	450/0001
	ø22	062X/0001	062X/0001-1	062/0007	-	-	-	-	-	-	-	-
	ø22	057X/0001	057X/0001-1	057X/0007	-	-	-	-	-	-	-	-
	ø22	-	-	-	028X	-	-	-	-	-	-	-
	ø22	-	-	-	029X	-	-	-	-	-	-	-

UL50 NEMA Type 1-4-4X  
 Key removable at "0" position  
 Body mounting rotated by 90°  
 Key removable at 0° and 180°



**REAR PANEL MOUNTING**

**PROTECTION CLASS EN60529 - IP65 UL50 NEMA TYPE 1-4-4X-12**

12-16-20A	
25-32-40A	
63-80A	
125A	
200A	

SERIEs	AC21A	1 POLE	2 POLES	3 POLES	4 POLES
P012	12A	P0120008R	P0120009R	P0120010R	P0120011R
P016	16A	P0160008R	P0160009R	P0160010R	P0160011R
P020	20A	P0200008R	P0200009R	P0200010R	P0200011R
C025	25A	C0250008R	C0250009R	C0250010R	C0250011R
C032	32A	C0320008R	C0320009R	C0320010R	C0320011R
C040	40A	C0400008R	C0400009R	C0400010R	C0400011R
C063	63A	C0630008R	C0630009R	C0630010R	C0630011R
C080	80A	C0800008R	C0800009R	C0800010R	C0800011R
G125	125A	G1250008R	G1250009R	G1250010R	G1250011R
G200	200A	G2000008R	G2000009R	G2000010R	G2000011R

ACTUATOR	FIXING	P012 - P016 - P020	C025 - C032 - C040	C063 - C080	G125	G200
	screw	001/0008 056X/0008	007/0008	201/0008	441/0008	461/0008
	screw	002/0008 058X/0008	008/0008	-	-	-
	screw	003/0008 059X/0008	003/0008	-	-	-
	screw	004/0008 060X/0008	004/0008	-	-	-
	screw	009/0008 061X/0008	009/0008	209/0008	449/0008	449/0008
	screw	010/0008 062X/0008	010/0008	210/0008	450/0008	450/0008
	ø22	057X/0008-CA	-	-	-	-
	ø22	-	028X	-	-	-
	ø22	-	029X	-	-	-

UL50 NEMA Type 1-4-4X  
 Key removable at "0" position  
 Body mounting rotated by 90°  
 Key removable at 0° and 180°





**REAR PANEL MOUNTING**

**PROTECTION CLASS EN60529 - IP65 UL50 NEMA TYPE 1-4-4X-12**

12-16-20A	<p>45° 60° G125 G200</p>
25-32-40A	
63-80A	
125A	
200A	

SERIES	AC21A	REVERSING SWITCH 3 POLES	REVERSING SWITCH 3 POLES WITH SPRING RETURN TO ZERO	DAHLLANDER POLE CHANGING TWO SPEED SWITCH	REVERSING SWITCH SINGLE PHASE WITH CENTRIFUGAL CUT-OUT
P012	12A	P0120012R	P0120013R	P0120014R	P0120016R
P016	16A	P0160012R	P0160013R	P0160014R	P0160016R
P020	20A	P0200012R	P0200013R	P0200014R	P0200016R
C025	25A	C0250012R	C0250013R	C0250014R	C0250016R
C032	32A	C0320012R	C0320013R	C0320014R	C0320016R
C040	40A	C0400012R	C0400013R	C0400014R	C0400016R
C063	63A	C0630012R	-	C0630014R	-
C080	80A	C0800012R	-	C0800014R	-
G125	125A	G1250012R	-	G1250014R	-
G200	200A	G2000012R	-	G2000014R	-

ACTUATOR	FIXING	P012 - P016 - P020			C025 - C032 - C040		C063 - C080	G125	G200
		45°	45°	NO	45°	45°	45°	60°	60°
	screw	001/0008	001/0013	-	007/0008	007/00013	201/0008	441/0008	461/0008
	ø22	056X/0008	056X/0013	-	-	-	-	-	-
	screw	002/0008	002/0013	-	008/0008	-	-	-	-
	ø22	058X/0008	058X/0013	-	-	-	-	-	-
	screw	003/0008	003/0013	-	003/0008	003/0013	-	-	-
	ø22	059X/0008	059X/0013	-	-	-	-	-	-
	screw	004/0008	004/0013	-	004/0008	004/0013	-	-	-
	ø22	060X/0008	060X/0013	-	-	-	-	-	-
	screw	009/0008	009/0013	-	009/0008	009/0013	209/0008	449/0008	449/0008
	ø22	061X/0008	061X/0013	-	-	-	-	-	-
	screw	010/0008	010/0013	-	010/0008	010/0013	210/0008	450/0008	450/0008
	ø22	062X/0008	062X/0013	-	-	-	-	-	-
	ø22	057X/0008-CA	057X/0013-CA	-	-	-	-	-	-
	ø22	-	-	028X	-	-	-	-	-
	ø22	-	-	029X	-	-	-	-	-

UL50 NEMA Type 1-4-4X  
 Key removable at "0" position  
 Body mounting rotated by 90°  
 Key removable at 0° and 180°



**REAR PANEL MOUNTING**

**PROTECTION CLASS EN60529 - IP65 UL50 NEMA TYPE 1-4-4X-12**

12-16-20A

25-32-40A

125A

200A

**60°**

**60°**  
G125  
G200

**45°**

**45°**

**45°**

4	15-16			X
	13-14	X	X	X
3	11-12	X		
	9-10	X	X	X
2	7-8	X		
	5-6			X
1	3-4			X
	1-2	X	X	X

6	23-24	X			X
	21-22		X	X	
5	19-20	X			X
	17-18	X			X
4	15-16		X	X	
	13-14	X	X	X	
3	11-12	X			X
	9-10	X			X
2	7-8	X			X
	5-6	X	X		
1	3-4	X	X		
	1-2			X	X

2	7-8	X	X
	5-6	X	X
1	1-2		X

3	11-12	X	X	X	X
	9-10	X	X	X	X
2	7-8				X
	5-6	X			
1	3-4	X	X		
	1-2			X	X

SERIES	AC21A	STAR-DELTA STARTER SWITCH	REVERSING-DAHLANDER POLE CHANGING TWO SPEED SWITCH	STARTER WITH SINGLE PHASE WITH AUXILIARY PHASE	REVERSING-STARTER SWITCH SINGLE PHASE WITH AUXILIARY PHASE
P012	12A	P0120015R	P0120031R	P0120017R	P0120018R
P016	16A	P0160015R	P0160031R	P0160017R	P0160018R
P020	20A	P0200015R	P0200031R	P0200017R	P0200018R
C025	25A	C0250015R	C0250031R	-	-
C032	32A	C0320015R	C0320031R	-	-
C040	40A	C0400015R	C0400031R	-	-
C063	63A	-	-	-	-
C080	80A	-	-	-	-
G125	125A	G1250015R	-	-	-
G200	200A	G2000015R	-	-	-

ACTUATOR	FIXING	P012 - P016 - P020					C025 - C032 C040		C063 - C080	G125	G200
		60°	45°	45°	45°	NO	60°	45°	60°	60°	60°
	screw	001/0015	001/0031	001/0017	001/0018	-	007/0015	007/0031	-	441/0015	461/0015
	ø22	056X/0015	056X/0031	056X/0017	056X/0018	-	-	-	-	-	-
	screw	002/0015	002/0031	002/0017	002/0018	-	008/0015	008/0031	-	-	-
	ø22	-	-	-	-	-	-	-	-	-	-
	screw	003/0015	003/0031	003/0017	003/0018	-	003/0015	003/0031	-	-	-
	ø22	-	-	-	-	-	-	-	-	-	-
	screw	004/0015	004/0031	004/0017	004/0018	-	004/0015	004/0031	-	-	-
	ø22	-	-	-	-	-	-	-	-	-	-
	screw	009/0015	009/0031	009/0017	009/0018	-	009/0015	009/0031	-	449/0015	449/0015
	ø22	-	-	-	-	-	-	-	-	-	-
	screw	010/0015	010/0031	010/0017	010/0018	-	010/0015	010/0031	-	450/0015	450/0015
	ø22	-	-	-	-	-	-	-	-	-	-
	ø22	-	-	-	-	-	-	-	-	-	-
	ø22	-	-	-	-	-	-	-	-	-	-
	ø22	-	-	-	-	-	-	-	-	-	-
	ø22	-	-	-	-	-	-	-	-	-	-
	ø22	-	-	-	-	-	-	-	-	-	-
	ø22	-	-	-	-	-	-	-	-	-	-

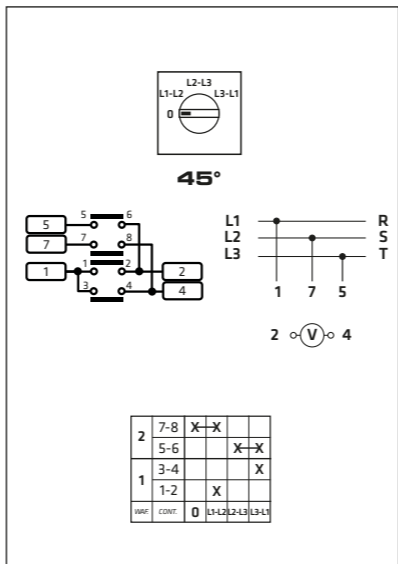
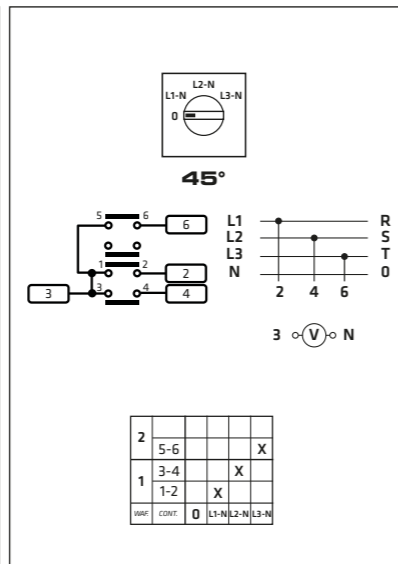
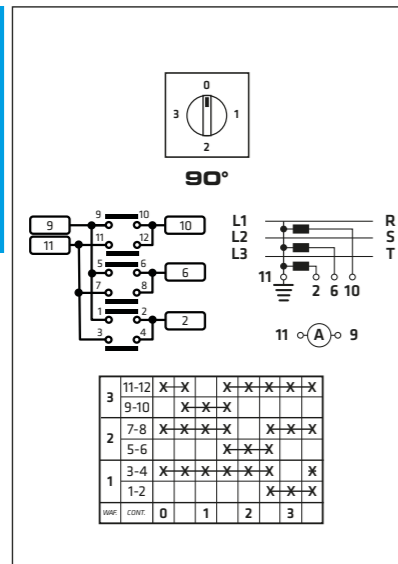


**REAR PANEL MOUNTING**

**PROTECTION CLASS EN60529 - IP65 UL50 NEMA TYPE 1-4-4X-12**



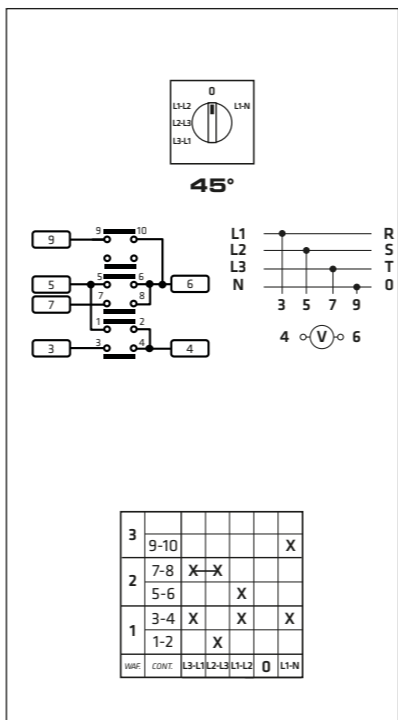
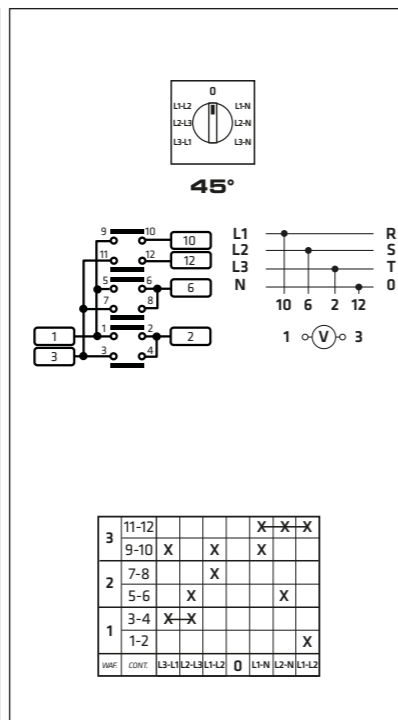
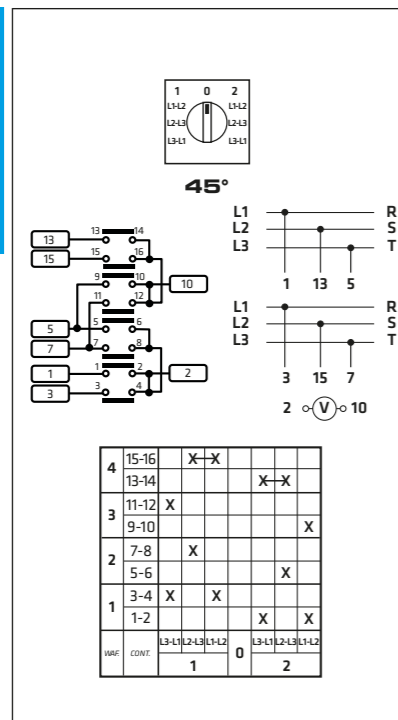
12-16-20A



SERIES	AC21A	AMMETER SELECTOR SWITCH 1 POLE FOR 3 CURRENT TRANSFORMERS	VOLTMETER SELECTOR SWITCH PHASE-NEUTRAL	VOLTMETER SELECTOR SWITCH PHASE-PHASE
P012	12A	P0120019R	P0120020R	P0120021R
P016	16A	P0160019R	P0160020R	P0160021R
P020	20A	P0200019R	P0200020R	P0200021R



12-16-20A



SERIES	AC21A	VOLTMETER SELECTOR SWITCH PHASE-PHASE FOR TWO CIRCUITS	VOLTMETER SELECTOR SWITCH PHASE-PHASE AND PHASE-NEUTRAL	VOLTMETER SELECTOR SWITCH PHASE-PHASE AND 1 PHASE-NEUTRAL
P012	12A	P0120022R	P0120023R	P0120024R
P016	16A	P0160022R	P0160023R	P0160024R
P020	20A	P0200022R	P0200023R	P0200024R

ACTUATOR	FIXING	P012 - P016 - P020						
		90°	45°	45°	45°	45°	45°	NO
	screw	001/0019	001/0020	001/0021	001/0022	001/0023	001/0024	-
	ø22	056X/0019	056X/0020	056X/0021	056X/0022	056X/0023	056X/0024	-
	screw	-	-	-	-	-	-	-
	ø22	-	-	-	-	-	-	-
	screw	-	-	-	-	-	-	-
	ø22	-	-	-	-	-	-	-
	screw	-	-	-	-	-	-	-
	ø22	-	-	-	-	-	-	-
	screw	-	-	-	-	-	-	-
	ø22	-	-	-	-	-	-	-
	screw	-	-	-	-	-	-	028X
	ø22	-	-	-	-	-	-	029X





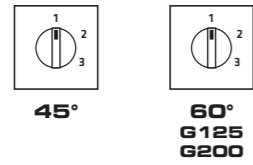


**REAR PANEL MOUNTING**

**PROTECTION CLASS EN60529 - IP65 UL50 NEMA TYPE 1-4-4X-12**



12-16-20A



25-32-40A



63-80A



125A



200A

2	5-6			X
1	3-4	X		
	1-2	X		
NOV.	CONT.	1	2	3

3	11-12			X
	9-10	X		
2	7-8	X		
	5-6		X	
1	3-4	X		
	1-2	X		
NOV.	CONT.	1	2	3

5	17-18			X
4	15-16	X		
	13-14	X		
3	11-12		X	
	9-10	X		
2	7-8	X		
	5-6		X	
1	3-4	X		
	1-2	X		
NOV.	CONT.	1	2	3

SERIES	AC21A	1 POLE	2 POLES	3 POLES
P012	12A	P0120038R	P0120039R	P0120040R
P016	16A	P0160038R	P0160039R	P0160040R
P020	20A	P0200038R	P0200039R	P0200040R
C025	25A	C0250038R	C0250039R	C0250040R
C032	32A	C0320038R	C0320039R	C0320040R
C040	40A	C0400038R	C0400039R	C0400040R
C063	63A	C0630038R	C0630039R	C0630040R
C080	80A	C0800038R	C0800039R	C0800040R
G125	125A	G1250038R	G1250039R	G1250040R
G200	200A	G2000038R	G2000039R	G2000040R

ACTUATOR	FIXING	P012 - P016 - P020	C025 C032 C040	C063 C080	G125	G200
		45°	NO	45°	45°	60°
	screw	001/0038	-	007/0038	201/0038	441/0038
	ø22	056X/0038	-	-	-	-
	screw	-	-	-	-	-
	ø22	-	-	-	-	-
	screw	-	-	-	-	-
	ø22	-	-	-	-	-
	screw	-	-	-	-	-
	ø22	-	-	-	-	-
	screw	-	-	-	-	-
	ø22	-	-	-	-	-
	ø22	-	-	-	-	-
	ø22	-	028X	-	-	-
	ø22	-	-	-	-	-
	ø22	-	029X	-	-	-



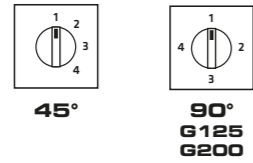


**REAR PANEL MOUNTING**

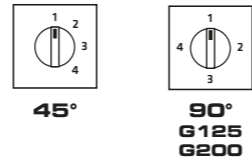
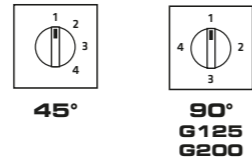
**PROTECTION CLASS EN60529 - IP65 UL50 NEMA TYPE 1-4-4X-12**



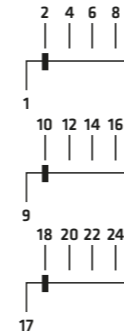
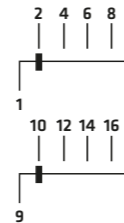
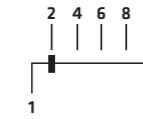
12-16-20A



25-32-40A



125A



4	15-16			X	
	13-14		X		
3	11-12	X			
	9-10	X			
2	7-8		X		
	5-6		X		
1	3-4	X			
	1-2	X			
WAMP	CONT.	1	2	3	4

6	23-24			X	
	21-22		X		
5	19-20	X			
	17-18	X			
4	15-16			X	
	13-14		X		
3	11-12	X			
	9-10	X			
2	7-8		X		
	5-6		X		
1	3-4	X			
	1-2	X			
WAMP	CONT.	1	2	3	4



200A

2	7-8			X	
	5-6		X		
1	3-4	X			
	1-2	X			
WAMP	CONT.	1	2	3	4

SERIES	AC21A	1 POLE	2 POLES	3 POLES
P012	12A	P0120041R	P0120042R	P0120043R
P016	16A	P0160041R	P0160042R	P0160043R
P020	20A	P0200041R	P0200042R	P0200043R
C025	25A	C0250041R	C0250042R	C0250043R
C032	32A	C0320041R	C0320042R	C0320043R
C040	40A	C0400041R	C0400042R	C0400043R
C063	63A	-	-	-
C080	80A	-	-	-
G125	125A	G1250041R	G1250042R	G1250043R
G200	200A	G2000041R	G2000042R	G2000043R

ACTUATOR	FIXING	P012 - P016 - P020	C025 C032 C040	C063 C080	G125	G200
		45°	NO	45°	-	90°
	screw	001/0041	-	007/0041	-	441/0041
	ø22	056X/0041	-	-	-	-
	screw	-	-	-	-	-
	ø22	-	-	-	-	-
	screw	-	-	-	-	-
	ø22	-	-	-	-	-
	screw	-	-	-	-	-
	ø22	-	-	-	-	-
	screw	-	-	-	-	-
	ø22	-	-	-	-	-
	screw	-	-	-	-	-
	ø22	-	-	-	-	-
	ø22	-	-	-	-	-
	ø22	-	028X	-	-	-
	ø22	-	029X	-	-	-



**REAR PANEL MOUNTING**

**PROTECTION CLASS EN60529 - IP65 UL50 NEMA TYPE 1-4-4X-12**



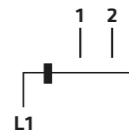
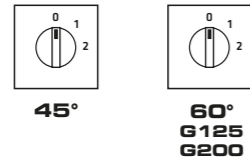
12-16-20A

25-32-40A

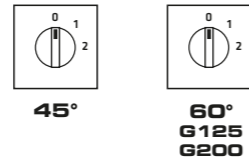
63-80A

125A

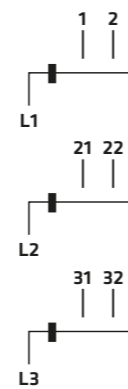
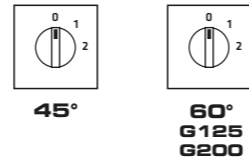
200A



1	3-4		X
1-2		X	
VAR. CONT.	0	1	2



2	7-8		X
5-6		X	
1	3-4		X
1-2		X	
VAR. CONT.	0	1	2



3	11-12		X
9-10		X	
2	7-8		X
5-6		X	
1	3-4		X
1-2		X	
VAR. CONT.	0	1	2

SERIES	AC21A	1 POLE	2 POLES	3 POLES
P012	12A	P0120028R	P0120032R	P0120033R
P016	16A	P0160028R	P0160032R	P0160033R
P020	20A	P0200028R	P0200032R	P0200033R
C025	25A	C0250028R	C0250032R	C0250033R
C032	32A	C0320028R	C0320032R	C0320033R
C040	40A	C0400028R	C0400032R	C0400033R
C063	63A	C0630028R	C0630032R	C0630033R
C080	80A	C0800028R	C0800032R	C0800033R
G125	125A	G1250028R	G1250032R	G1250033R
G200	200A	G2000028R	G2000032R	G2000033R

ACTUATOR	FIXING	P012 - P016 - P020	C025 C032 C040	C063 C080	G125	G200
		45°	NO	45°	45°	60°
	screw	001/0028	-	007/0028	201/0028	441/0028
	ø22	056X/0028	-	-	-	-
	screw	-	-	-	-	-
	ø22	-	-	-	-	-
	screw	-	-	-	-	-
	ø22	-	-	-	-	-
	screw	-	-	-	-	-
	ø22	-	-	-	-	-
	screw	-	-	-	-	-
	ø22	-	-	-	-	-
	ø22	-	028X	-	-	-
	ø22	-	029X	-	-	-

**REAR PANEL MOUNTING**

**PROTECTION CLASS EN60529 - IP65 UL50 NEMA TYPE 1-4-4X-12**

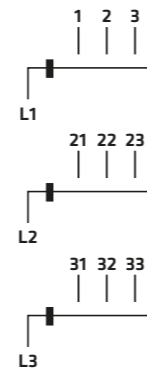
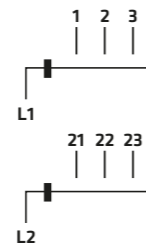
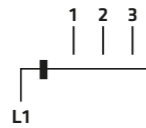
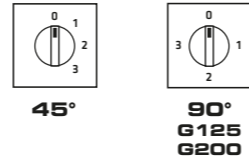
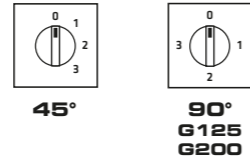
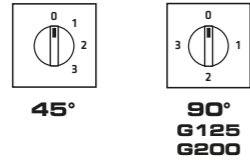


12-16-20A

25-32-40A

125A

200A



2	7-8			X	
	5-6	X			
1	1-2		X		
WAF	CONT.	0	1	2	3

3	11-12			X	
	9-10	X			
2	7-8		X		
	5-6		X		
1	3-4			X	
	1-2	X			
WAF	CONT.	0	1	2	3

5	19-20			X	
4	15-16			X	
	13-14	X			
3	11-12			X	
	9-10	X			
2	7-8		X		
	5-6		X		
1	3-4			X	
	1-2	X			
WAF	CONT.	0	1	2	3

SERIES	AC21A	1 POLE	2 POLES	3 POLES
P012	12A	P0120029R	P0120034R	P0120035R
P016	16A	P0160029R	P0160034R	P0160035R
P020	20A	P0200029R	P0200034R	P0200035R
C025	25A	C0250029R	C0250034R	C0250035R
C032	32A	C0320029R	C0320034R	C0320035R
C040	40A	C0400029R	C0400034R	C0400035R
C063	63A	-	-	-
C080	80A	-	-	-
G125	125A	G1250029R	G1250034R	G1250035R
G200	200A	G2000029R	G2000034R	G2000035R

ACTUATOR	FIXING	P012 - P016 - P020	C025 C032 C040	C063 C080	G125	G200
		45°	NO	45°	90°	90°
	screw	001/0029	-	007/0029	-	441/0029
	ø22	056X/0029	-	-	-	-
	screw	-	-	-	-	-
	ø22	-	-	-	-	-
	screw	-	-	-	-	-
	ø22	-	-	-	-	-
	screw	-	-	-	-	-
	ø22	-	-	-	-	-
	screw	-	-	-	-	-
	ø22	-	-	-	-	-
	screw	-	-	-	-	-
	ø22	-	-	-	-	-
	ø22	-	-	-	-	-
	ø22	-	028X	-	-	-
	ø22	-	029X	-	-	-

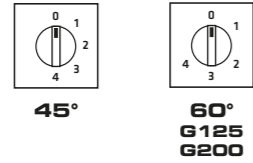


**REAR PANEL MOUNTING**

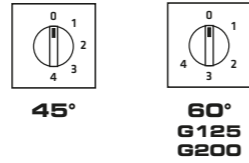
**PROTECTION CLASS EN60529 - IP65 UL50 NEMA TYPE 1-4-4X-12**



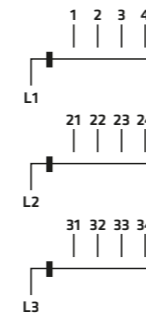
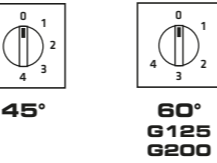
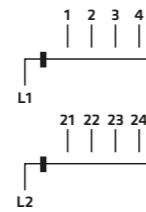
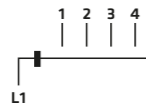
12-16-20A



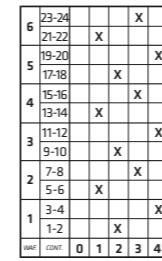
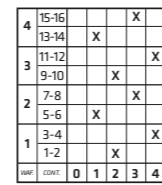
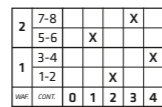
25-32-40A



125A



200A



SERIES	AC21A	1 POLE	2 POLES	3 POLES
P012	12A	P0120030R	P0120036R	P0120037R
P016	16A	P0160030R	P0160036R	P0160037R
P020	20A	P0200030R	P0200036R	P0200037R
C025	25A	C0250030R	C0250036R	C0250037R
C032	32A	C0320030R	C0320036R	C0320037R
C040	40A	C0400030R	C0400036R	C0400037R
C063	63A	-	-	-
C080	80A	-	-	-
G125	125A	G1250030R	G1250036R	G1250037R
G200	200A	G2000030R	G2000036R	G2000037R

ACTUATOR	FIXING	P012 - P016 - P020	C025 C032 C040	C063 C080	G125	G200
		45°	NO	45°	60°	60°
	screw	001/0030	-	007/0030	-	441/0030
	ø22	056X/0030	-	-	-	-
	screw	-	-	-	-	-
	ø22	-	-	-	-	-
	screw	-	-	-	-	-
	ø22	-	-	-	-	-
	screw	-	-	-	-	-
	ø22	-	-	-	-	-
	screw	-	-	-	-	-
	ø22	-	-	-	-	-
	screw	-	-	-	-	-
	ø22	-	-	-	-	-
	screw	-	-	-	-	-
	ø22	-	-	-	-	-
	screw	-	-	-	-	-
	ø22	-	-	-	-	-
	screw	-	-	-	-	-
	ø22	-	-	-	-	-
	screw	-	-	-	-	-
	ø22	-	-	-	-	-
	screw	-	-	-	-	-
	ø22	-	-	-	-	-
	screw	-	-	-	-	-
	ø22	-	-	-	-	-
	screw	-	-	-	-	-
	ø22	-	-	-	-	-
	screw	-	-	-	-	-
	ø22	-	-	-	-	-
	screw	-	-	-	-	-
	ø22	-	-	-	-	-
	screw	-	-	-	-	-
	ø22	-	-	-	-	-
	screw	-	-	-	-	-
	ø22	-	-	-	-	-
	screw	-	-	-	-	-
	ø22	-	-	-	-	-
	screw	-	-	-	-	-
	ø22	-	-	-	-	-
	screw	-	-	-	-	-
	ø22	-	-	-	-	-
	screw	-	-	-	-	-
	ø22	-	-	-	-	-
	screw	-	-	-	-	-
	ø22	-	-	-	-	-
	screw	-	-	-	-	-
	ø22	-	-	-	-	-
	screw	-	-	-	-	-
	ø22	-	-	-	-	-
	screw	-	-	-	-	-
	ø22	-	-	-	-	-
	screw	-	-	-	-	-
	ø22	-	-	-	-	-
	screw	-	-	-	-	-
	ø22	-	-	-	-	-
	screw	-	-	-	-	-
	ø22	-	-	-	-	-
	screw	-	-	-	-	-
	ø22	-	-	-	-	-
	screw	-	-	-	-	-
	ø22	-	-	-	-	-
	screw	-	-	-	-	-
	ø22	-	-	-	-	-
	screw	-	-	-	-	-
	ø22	-	-	-	-	-
	screw	-	-	-	-	-
	ø22	-	-	-	-	-
	screw	-	-	-	-	-
	ø22	-	-	-	-	-
	screw	-	-	-	-	-
	ø22	-	-	-	-	-
	screw	-	-	-	-	-
	ø22	-	-	-	-	-
	screw	-	-	-	-	-
	ø22	-	-	-	-	-
	screw	-	-	-	-	-
	ø22	-	-	-	-	-
	screw	-	-	-	-	-
	ø22	-	-	-	-	-
	screw	-	-	-	-	-
	ø22	-	-	-	-	-
	screw	-	-	-	-	-
	ø22	-	-	-	-	-
	screw	-	-	-	-	-
	ø22	-	-	-	-	-
	screw	-	-	-	-	-
	ø22	-	-	-	-	-
	screw	-	-	-	-	-
	ø22	-	-	-	-	-
	screw	-	-	-	-	-
	ø22	-	-	-	-	-
	screw	-	-	-	-	-
	ø22	-	-	-	-	-
	screw	-	-	-	-	-
	ø22	-	-	-	-	-
	screw	-	-	-	-	-
	ø22	-	-	-	-	-
	screw	-	-	-	-	-
	ø22	-	-	-	-	-
	screw	-	-	-	-	-
	ø22	-	-	-	-	-
	screw	-	-	-	-	-
	ø22	-	-	-	-	-
	screw	-	-	-	-	-
	ø22	-	-	-	-	-
	screw	-	-	-	-	-
	ø22	-	-	-	-	-
	screw	-	-	-	-	-
	ø22	-	-	-	-	-
	screw	-	-	-	-	-
	ø22	-	-	-	-	-
	screw	-	-	-	-	-
	ø22	-	-	-	-	-
	screw	-	-	-	-	-
	ø22	-	-	-	-	-
	screw	-	-	-	-	-
	ø22	-	-	-	-	-
	screw	-	-	-	-	-
	ø22	-	-	-	-	-
	screw	-	-	-	-	-
	ø22	-	-	-	-	-
	screw	-	-	-	-	-
	ø22	-	-	-	-	-
	screw	-	-	-	-	-
	ø22	-	-	-	-	-
	screw	-	-	-	-	-
	ø22	-	-	-	-	-
	screw	-	-	-	-	-
	ø22	-	-	-	-	-
	screw	-	-	-	-	-
	ø22	-	-	-	-	-
	screw	-	-	-	-	-
	ø22	-	-	-	-	-
	screw	-	-	-	-	-
	ø22	-	-	-	-	-
	screw	-	-	-	-	-
	ø22	-	-	-	-	-
	screw	-	-	-	-	-
	ø22	-	-	-	-	-
	screw	-	-	-	-	-
	ø22	-	-	-	-	-
	screw	-	-	-	-	-
	ø22	-	-	-	-	-
	screw	-	-	-	-	-
	ø22	-	-	-	-	-
	screw	-	-	-	-	-
	ø22	-	-	-	-	-
	screw	-	-	-	-	-
	ø22	-	-	-	-	-
	screw	-	-	-	-	-
	ø22	-	-	-	-	-
	screw	-	-	-	-	-
	ø22	-	-	-	-	-
	screw	-	-	-	-	-
	ø22	-	-	-	-	-
	screw	-	-	-	-	-
	ø22	-	-	-	-	-
	screw	-	-	-	-	-
	ø22	-	-	-	-	-
	screw	-	-	-	-	-
	ø22	-	-	-	-	-
	screw	-	-	-	-	-
	ø22	-	-	-	-	-
	screw	-	-	-	-	-
	ø22	-	-	-	-	-
	screw	-	-	-	-	-
	ø22	-	-	-	-	-
	screw	-	-	-	-	-
	ø22	-	-	-	-	-
	screw	-	-	-	-	-
	ø22	-	-	-	-	-
	screw	-	-	-	-	-
	ø22	-	-	-	-	-
	screw	-	-	-	-	-
	ø22	-	-	-	-	-
	screw	-	-	-	-	-
	ø22	-	-	-	-	-
	screw	-	-	-	-	-
	ø22	-	-	-	-	-
	screw	-	-	-	-	-
	ø22	-	-	-	-	-
	screw	-	-	-	-	-
	ø22	-	-	-	-	-
	screw	-	-	-	-	-
	ø22	-	-	-	-	-
	screw	-	-	-	-	-
	ø22	-	-	-	-	-
	screw	-	-	-	-	-
	ø22	-	-	-	-	-
	screw	-	-	-	-	