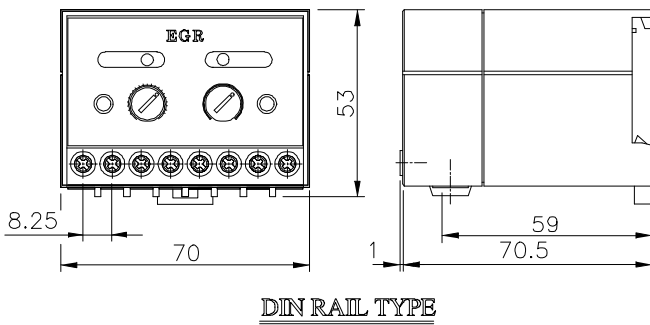


EGR Electronic Ground Fault Relay

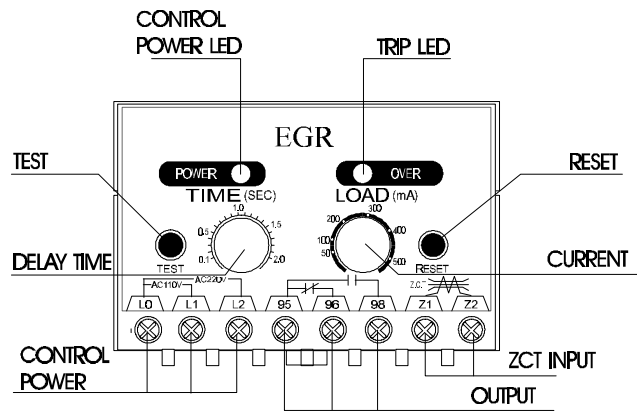
INTRODUCTION

- ▶ Ground(Earth) Fault Protection
- ▶ Detect Ground Fault Current Using ZCT(CBCT) (200mA:1.5mA)
- ▶ Dual Power Supply of 110/220VAC
- ▶ Self-Test Function
- ▶ Instantaneous Manual Reset/Electrical Reset
- ▶ Trip Indication by LED

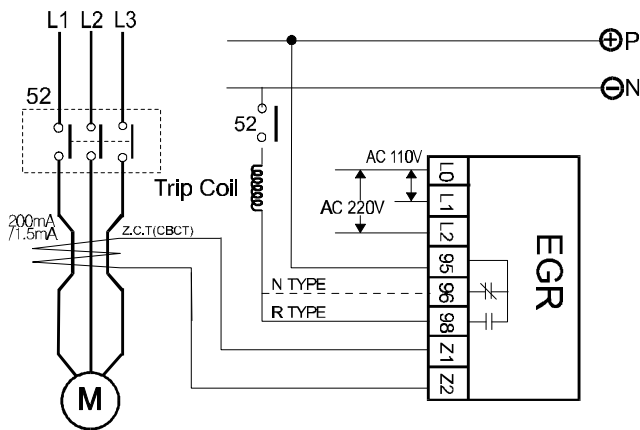
DIMENSION



CONSTRUCTION



TYPICAL WIRING DIAGRAM



ORDERING INFORMATION

EGR - 05 N - 30
 ① ② ③ ④

①	MODEL	ELECTRONIC GROUND FAULT RELAY	
②	CURRENT TYPE (GROUND FAULT CURRENT)	05	50 ~ 500mA
		10	100 ~ 1000mA
		20	200 ~ 2500mA
③	OUTPUT STATE	R	Normally De-energized
		N	Normally Energized(option)
④	RESET TIME DELAY (AUTO RESET)	OPTIONAL 0 ~ 120sec (Factory Fixed)	

