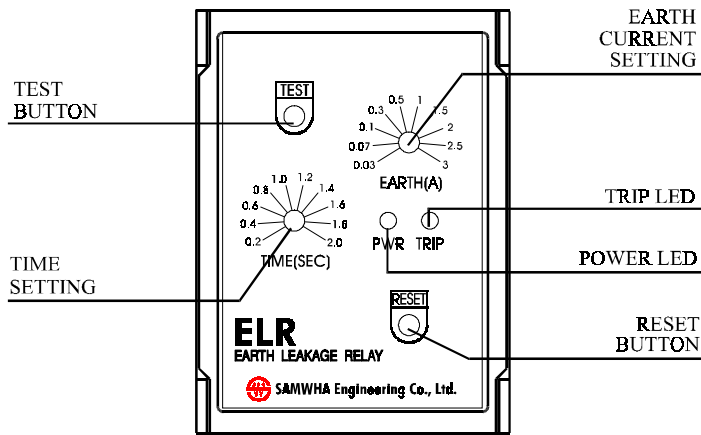


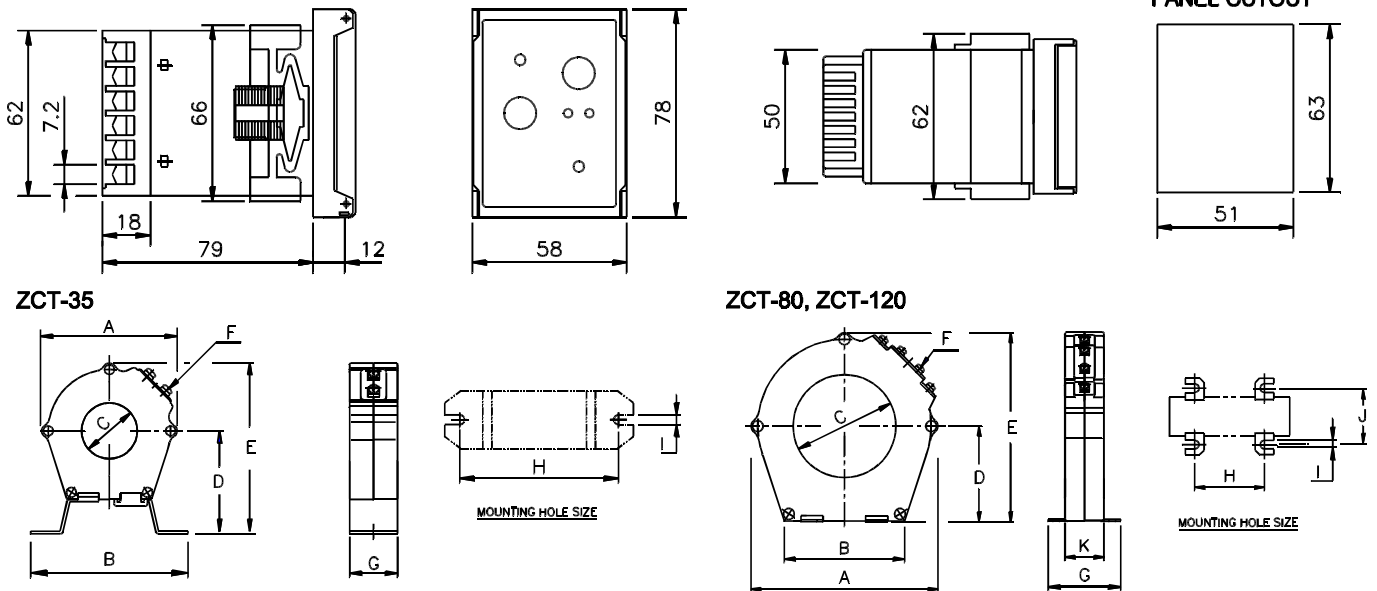
FEATURES

- Based on MCU(Micro Controller Unit)
- Earth Leakage Protection for personal, motor and power distribution system
- Sensing by zero phase current transformer
- A test button is provided for manual testing of relay
- Possible adjustment of input current and operating delay time with separate tap type potentiometer.
- A Green and Red are provided for indicating the status of control power input and relay operation

RELAY FACIA



DIMENSIONS



Type	Applicable current	Dimension(mm)										
		A	B	C	D	E	F	G	H	I	J	k
ZCT-35	≤200A	85	99	∅35	64	107	2-M3.5	30	83	5	-	-
ZCT-80	≤400A	145	93	∅80	74	146	4-M3.5	56	54	5	43	30
ZCT-120	≤800A	189	126	∅120	99	193.5	4-M3.5	56	95	5	43	30

Description		Rating		Remarks
Current setting		0.03 to 3 Amp		0.03, 0.07, 0.1, 0.3, 0.5, 1.0, 1.5, 2.0, 2.5 and 3 Amp TAP.
Time setting		0.2 to 2.0 Sec		0.2, 0.4, 0.6, 0.8, 1.0, 1.2, 1.4, 1.6, 1.8, 2.0 sec Tap
Operating characteristic		Definite time type		
Current sensing		ZCT sensing		ZCT rating : 200mA/1.5mA
Control voltage		240VAC \pm 10%		216~264VAC
Frequency		50Hz		
Tolerance	Current	\pm 5%		
	Time	\pm 5%		
Output contact	Rating	5A/250VAC		
	Type	1-SPDT(1c)		Normally De-energize
Rated insulation voltage		600VAC, 50Hz		
Expected life	Mechanical	10,000,000 operation		
	Electrical	100,000 operation		
Environment	Temperature	Operation	$-20^{\circ}\text{C} \sim 70^{\circ}\text{C}$	
		Store	$-30^{\circ}\text{C} \sim 80^{\circ}\text{C}$	
	Humidity	10~85% non-condensing		
Dielectric strength		1) Between casing and circuits : 2000VAC, 50Hz, 1min 2) Between contacts : 1000VAC, 50Hz, 1min 3) Between circuits : 2000VAC, 50Hz, 1min		
Electrostatic discharge		IEC 61000-4-2 LEVEL 3		Contact : $\pm 4\text{kV}$, Air : $\pm 8\text{kV}$
EFT/Burst		IEC 61000-4-4 LEVEL 3		$\pm 2\text{kV}$ 1min
Surge		IEC 61000-4-5 LEVEL 3		$\pm 2\text{kV}(0^{\circ}, 90^{\circ}, 180^{\circ}, 270^{\circ})$
Voltage dip and interruption		IEC 61000-4-11		

WIRING DIAGRAM

