

The ZENER AMC-2000 Motor Mate Soft starter

ZENER



The AMC-2000 60 amp model complete with digital display and customer connections.

Our commitment to technology

Since 1982 Zener has been acknowledged as being at the leading edge of electronic motor start technology. Our development and design capabilities are closely linked to an integrated client service commitment. The AMC-2000 is the product of that integration.

A soft starter with a small footprint. A fully featured unit designed to reduce add-ons but one that is simple to understand and easy to install. A world-class soft starter manufactured to close standards, with back-up service and support from a dedicated team of application specialists.

The ZENER AMC-2000 is breakthrough electronic motor start technology. A soft starter to meet the demands of industry. A soft starter demanded by industry. A soft starter for the 21st century.

Ideal for:

- ✓ Pumps
- ✓ Fans and blowers
- ✓ Compressors and chillers
- ✓ Augers, screw feeders and elevators
- ✓ Conveyor belts
- ✓ Industrial machinery

A better start electrically...

- ✓ Limits inrush currents
- ✓ Eliminates current surges and voltage dips
- ✓ Extends motor life with in-built electronic motor overload protection relay
- ✓ Integral bypass contactor reduces heat generation
- ✓ Easy adjustment with onboard digital display
- ✓ Easy to wire and install
- ✓ Direct replacement for auto-transformer, star-delta and resistance starters

A better start mechanically...

- ✓ Produces smoother starts and stops by controlling torque
- ✓ Relieves shock and drive train stress on startup
- ✓ Reduces vibration and mechanical damage
- ✓ Eliminates water hammer with pump-stop feature
- ✓ Decreases equipment downtime

AMC-2000 Motor Mate

Soft starter

Technical Specifications



Ratings

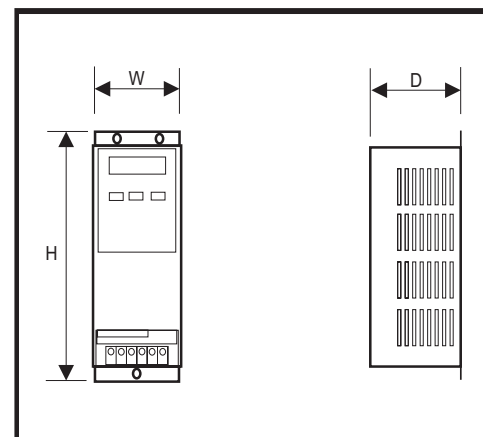
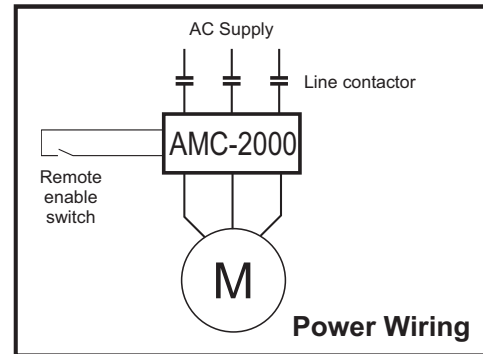
Temperature:	0 to 45°C operating; -20 to 60°C storage
Humidity:	0 to 95% non-condensing
Line voltage:	3 phase, 380-415V AC (+10% / -15%) 50Hz 3 phase, 460-480V AC (+10% / -15%) 60Hz
Control voltage:	unit is self powered from 3 phase supply
Rated current:	15A, 30A, 60A, 80A
Duty:	300% of unit rating for first 15s, tapering to 100% at 30 s
Starts/hour:	10
Heat dissipation:	5-20W, 5-40W, 5-60W, 5-80W
Cable size mm (A.W.G):	6mm ² (10), 10mm ² (8), 16mm ² (6), 25mm ² (4) for power; 1.5mm ² (16) for control
Enclosure:	coated sheetmetal to IP20
Run & hold relay rating:	8 amps 250Vac, 8 amps 30Vdc 4 amps 250vac, 4 amps 30Vdc

Adjustments

Motor rated current:	5A to 100% of unit rating in 1A steps
Initial torque:	10% to 25% of locked rotor torque in 1% steps
Ramp up time:	3 to 60 seconds in 1 second steps
Ramp down time:	0 to 120 seconds in 1 second steps
Current limit:	200% to 500% of unit rating in 10% steps
Fault reset:	manual reset, remote reset or automatic restart included for intelligent pump stop operation
Pump stop:	
Undercurrent:	Trip level 10% to 90%, Trip delay 0 to 90 seconds
Overcurrent:	Trip level 100% to 250%, Trip delay 0 to 10 seconds

Features

Control method:	microprocessor based control pcb
Ramp type:	voltage ramp with current limit override
Over voltage protection:	high voltage SCRs; RC snubber networks; MOV's
Electronic motor protection:	built in electronic protection for motor overload, phase loss and stall detect
Equipment protection:	overtemperature, bypass failure, SCR failure.
Operating modes:	ramp up and down by SCR control running by internal bypass contactor
Indication and setup:	2 line backlit LCD display in plain English, with push button selection
External connections:	volt free enable terminals, run relay, fault relay, ramp down hold relay



Model	Dimensions in mm (in)			Weight kg (lb)
	H	W	D	
AMC-2000 A15	340 (13.4)	100 (3.9)	162 (6.4)	4kg (8.8)
AMC-2000 A30	340 (13.4)	100 (3.9)	162 (6.4)	5kg (11.0)
AMC-2000 A60	405 (15.9)	100 (3.9)	180 (7.1)	6kg (13.2)
AMC-2000 A80	460 (18.1)	126 (5.0)	180 (7.1)	7kg (15.4)

Zener Distributors

Australia	International prefix 61
Newcastle:	(02) 4969-6788
Sydney:	(02) 9795-3600
Brisbane:	(07) 3274-1475
Adelaide:	(08) 8295-5566
Perth:	(08) 9317-4322
Melbourne:	(03) 9444-1998

China:	(+86 532) 870-1773
Korea:	(+82 2) 892-2038
Indonesia:	(+62 21) 350-8555
Malaysia:	(+60 3) 5633-5747
Singapore:	(+65) 773-1033
USA:	(+1) 203 245-3807

Dealer stamp...

<http://www.zener.com.au>
Email: welcome@zener.com.au
Manufactured in Australia