

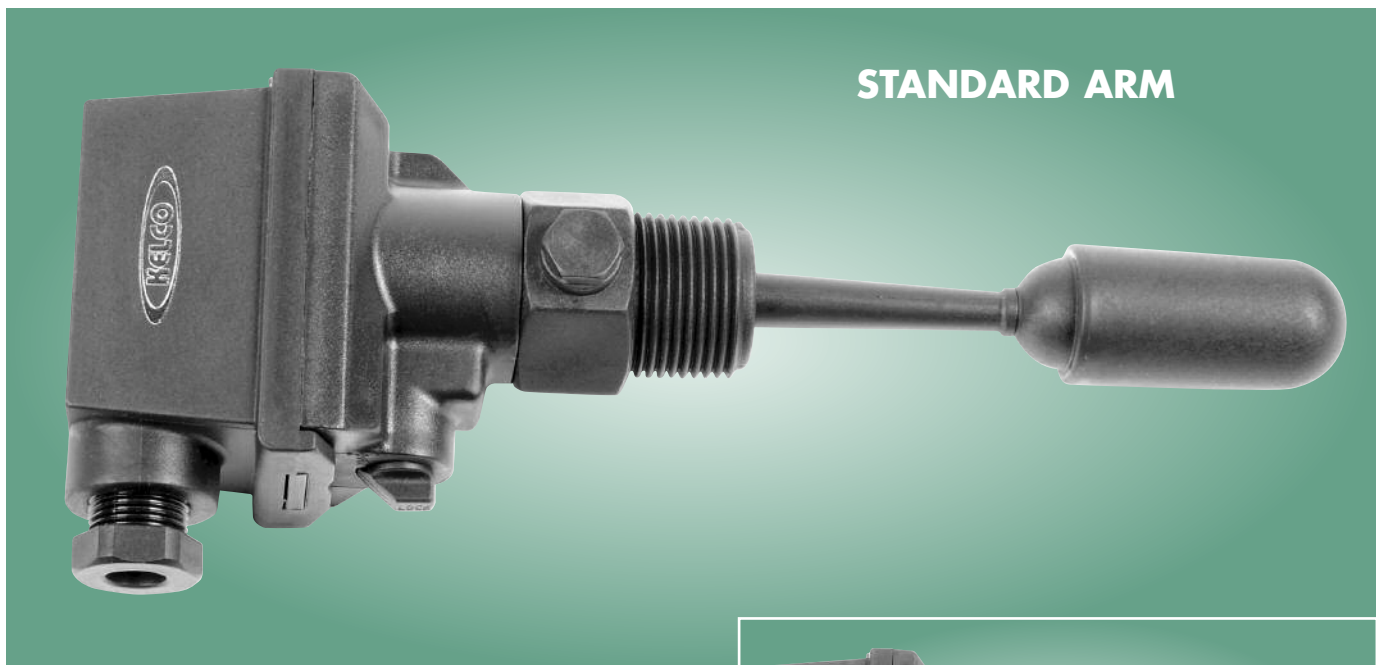
## L26 SERIES HEAVY DUTY LEVEL SWITCHES

### FEATURES

- STAINLESS STEEL OR POLYPROPYLENE BODY
- BUILT IN MANUAL OVERRIDE SWITCH
- RELIABLE PROVEN DESIGN
- 15 AMP 500VOLT SPDT SWITCH
- UNIQUE SEAL-LESS COUPLING
- WEATHERPROOF IP67 HOUSING
- SIMPLE TO INSTALL
- FULLY SERVICEABLE

### APPLICATIONS

- TANK LIQUID LEVEL CONTROL
- LOW LEVEL PROTECTION FOR PUMPS
- LEVEL CONTROL IN WATER TREATMENT
- CHEMICAL TANK LEVEL MONITORING
- SAFETY MONITORING IN CHEMICAL TANKS

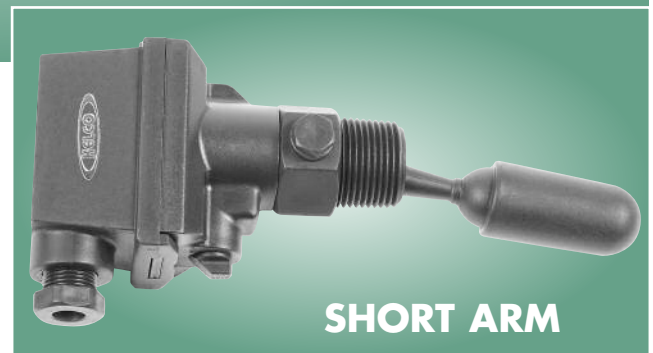


STANDARD ARM

### INTRODUCTION

The L26 series heavy duty level switches provide a highly reliable accurate and low cost solution to tank level control. Offering polypropylene or stainless steel and polypropylene construction, the L26 level switches are built tough, from their high impact weatherproof casing to their high compliance micro switches. These level switches are intended to give long reliable duty under the most arduous conditions. The L26 level switch incorporates our unique seal less magnetic dampening system that both couples the internal switch mechanism to the float arm and ensures a reliable switching action even where surface agitation is present.

The L26 level switch integrates well into modern thermoplastic and fiberglass tank systems. The switches are fitted and removed through the external 25mm B.S.P. socket in which they are installed. There is no need to access the tank from the inside. The standard L26-S has a float arm of sufficient length to clear the inner wall of even the thickest concrete tanks. A short arm L26-SA model is available specifically for small diameter tanks and risers and integrates into vessels down to 100mm inside diameter.



SHORT ARM



AUSTRALIAN MADE

# TECHNICAL DATA

## VERRIDE SWITCH

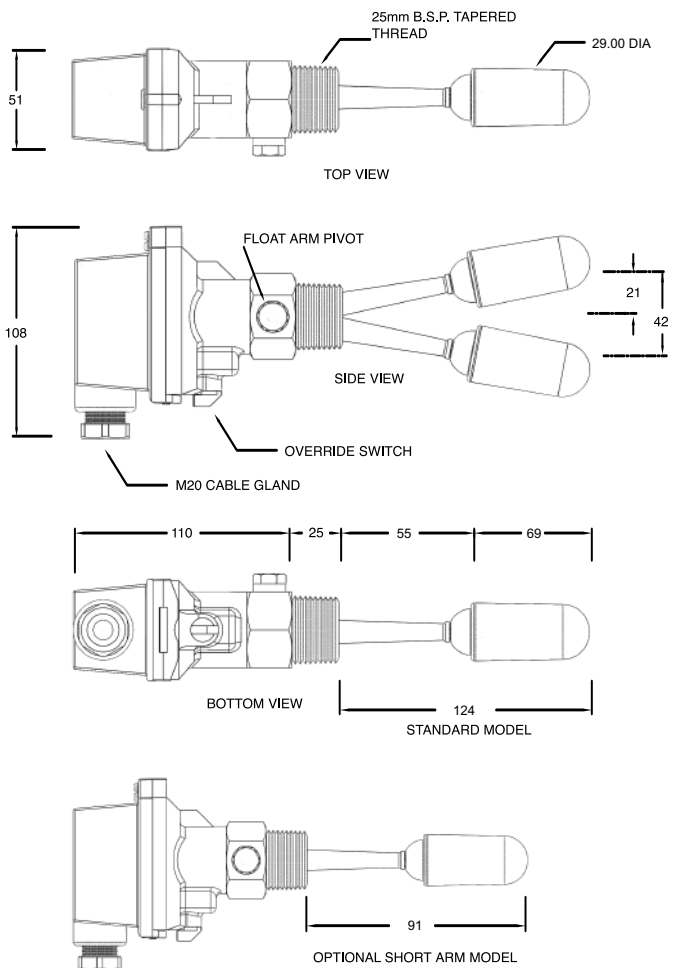
All L26 level switches have a built in two position manual switch that allows the level switch to be overridden regardless of the position of the float. This unique feature means the switch can be tested and operated at any time. The override switch can be used for commissioning systems or for pump priming. In addition it allows the filling of tanks that have been drained to below their normal low level cut out level.

## OPERATING ENVIRONMENT

Maximum operating pressure, at ambient temperature.	10 Bars (145 PSI) All models
Minimum burst pressure (Body) at ambient temperature.	80 Bars (1160 PSI) L26-S & L26-SA models only.
Minimum burst pressure (Body) at ambient temperature	100 Bars (1450 PSI) Stainless L26-SS model only
Maximum operating temperature (Liquid)	80 Degrees C at a pressure 1 bar absolute, see note below
Minimum operating temperature (Liquid)	-20°C
Ingress protection rating (Housing)	IP67

**Note:** Temperature for the maximum operating pressure shown in the above operating environment table is 15°C, In the interest of safety, when using the polypropylene version of the L26 series, maximum operating pressure must be de-rated linearly in direct proportion to temperature increase, to a maximum pressure of 1 bar absolute at 80 degrees Centigrade. In other words only use this switch at elevated temperatures in non pressurised systems that are totally open to atmosphere in all circumstances and under all conditions.

## DIMENSIONS



## ELECTRICAL DATA

The L26-S, L26-SS and L26-SA level switches house a 15Amp 500Volt single pole double throw microswitch suitable for most general control applications.

125 VAC	15A	3A	1.5A	15A	5A	2.5A
250 VAC	15A	2.5A	1.25A	15A	3A	1.5A
500 VAC	10A	1.5A	0.75A	6A	1.5A	0.75A
8 VDC	15A	3A	1.5A	15A	5A	2.5A
14 VDC	15A	3A	1.5A	10A	5A	2.5A
30 VDC	6A	3A	1.5A	5A	5A	2.5A
125 VDC	0.5A	0.5A	0.5A	0.05A	0.05A	0.05A
250 VDC	0.25A	0.25A	0.25A	0.03A	0.03A	0.03A

## MODELS AVAILABLE

<b>L26-S</b>	Standard all polypropylene switch with long float arm 15Amp 500Volt rating
<b>L26-SA</b>	All polypropylene switch with short float arm 15Amp 500Volt Rating
<b>L26-SS</b>	Long arm polypropylene & 316 stainless switch with 15AMP 500Volt rating



Unit 3, 8 Hayden Court, Myaree WA 6154  
Phone (08) 9317 4322, Fax (08) 9317 4465  
[www.powercontrol.com.au](http://www.powercontrol.com.au)

## KELCO Engineering Pty Ltd

ABN 20 002 834 844  
Head office and factory  
9/9 Powells Road Brookvale 2100 NSW Australia  
Phone: +61 2 9905 6425 Fax: +61 2 9905 6420  
Email: [sales@kelco.com.au](mailto:sales@kelco.com.au) Web: [www.kelco.com.au](http://www.kelco.com.au)  
©2008 Kelco Engineering Pty Ltd

**PLEASE NOTE:** Kelco Engineering Pty Ltd reserves the right to change the specification of this product without notice. Kelco Engineering Pty Ltd accepts no liability for personal injury or economic loss as a consequence of the use of this product. All rights reserved copyright Kelco Engineering Pty Ltd © 2008.

# INSTALLATION AND OPERATING INSTRUCTIONS FOR L26 SERIES HEAVY DUTY LEVEL SWITCH

**PLEASE READ THIS INSTALLATION SHEET CAREFULLY AND FULLY  
BEFORE ATTEMPTING TO INSTALL OR SERVICE THIS LEVEL SWITCH**

## APPLICATION

The L26 series level switch is a side entry single point level regulator that is intended to be mounted in a threaded socket fixed to the side of a tank. The switch will provide an ON or OFF signal when liquid reaches the level of the float. The standard model L26-S switch has a float arm that is of sufficient length to clear the inner walls of the majority of tanks. A short arm model, L26-SA, is also available and is suitable for use in riser pipes and tanks as small as 100mm inside diameter.

The switch is available with an all polypropylene body, in which there are no metal parts in contact with the process liquid being sensed. This version is suitable for applications involving super pure water, seawater and a variety of chemical solutions including acids and alkalis. The L26 level switch can also be supplied with a 316 stainless steel body and an polypropylene electrical housing. The high strength L26-SS stainless versions of the switch is suited to applications where there may be a danger of fire, or vandalism.

## ENVIRONMENT

The L26 level switch has a weatherproof housing, made from polypropylene thermoplastic, and rated at IP67. The switch is suitable for use in all fully exposed outdoor applications. This switch may be used in liquids with temperatures from  $-20^{\circ}\text{C}$  to  $80^{\circ}\text{C}$ .

This switch is not suitable for use in liquids that contain solids or precipitates which are likely to deposit out or jam in the arm housing of the switch. The standard L26 level switch can be used in pressurised tanks or vessels in which the pressure does not exceed 10 Bars (145 PSI). This pressure rating also applies to switches with stainless bodies, due to the pressure limitations of the float.

## INSTALLATION

This switch is designed to be mounted in the horizontal plane in the side of a tank or liquid container. A 25mm (1 inch BSP) socket must be provided on the side of the tank at the precise level at which the switch operation is required.

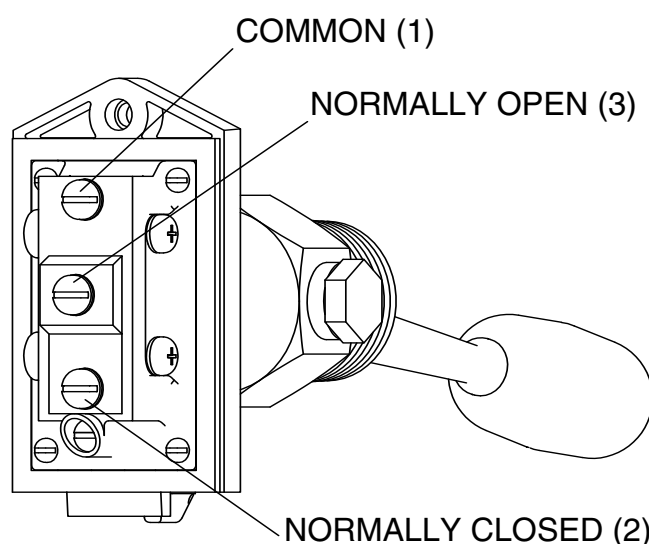
The socket must have a full bore clearance through the side of the tank equal in diameter to the root size of a 25mm (1 inch BSP) thread (minimum 28mm). This is to allow clearance for the switch arm and float, and to allow the switch to be extracted or fitted.

The level switch should be screwed into the socket using thread tape. Use a suitable spanner and the spanner flats provided to tighten the switch into the socket, do not twist the electrical housing of the switch, as damage to the switch may result. Correct orientation is important, align the cable gland vertically plumb and pointing downward. The switch will not operate correctly if this orientation is not closely adhered to.

## ELECTRICAL

**All electrical work associated with this level switch must conform to the relevant local codes and must be carried out by qualified persons only.**

The long arm L26-S, L26-SS and the short arm L26-SA level switches are fitted with a 15 Amp 500 Volt single pole double throw (SPDT) microswitch. This switch is suitable for the majority of general control circuit applications.



## ELECTRICAL DATA

The L26-S, L26-SS and L26-SA level switches house a 15Amp 500Volt single pole double throw microswitch suitable for most general control applications.

125 VAC	15A	3A	1.5A	15A	5A	2.5A
250 VAC	15A	2.5A	1.25A	15A	3A	1.5A
500 VAC	10A	1.5A	0.75A	6A	1.5A	0.75A
8 VDC	15A	3A	1.5A	15A	5A	2.5A
14 VDC	15A	3A	1.5A	10A	5A	2.5A
30 VDC	6A	3A	1.5A	5A	5A	2.5A
125 VDC	0.5A	0.5A	0.5A	0.05A	0.05A	0.05A
250 VDC	0.25A	0.25A	0.25A	0.03A	0.03A	0.03A

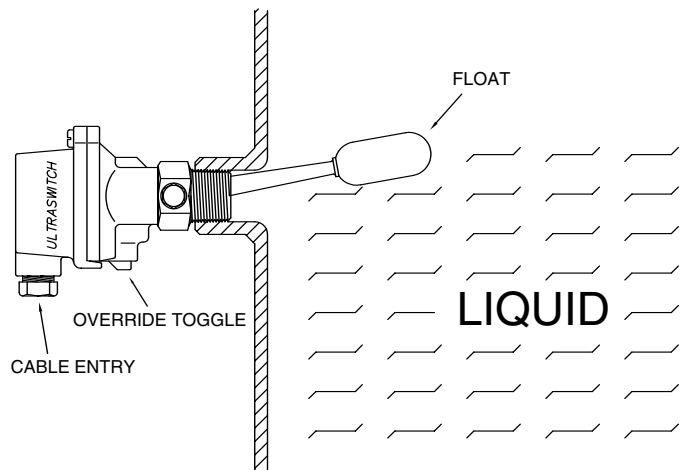
For testing and commissioning purposes all L26 level switches are fitted with a manual override switch, located on the underside of the electrical housing. The override has two positions, marked AUTO and ON.

In the auto position, the override has no effect on the switch, that is the switch's electrical state is entirely a function of the float's position.

With the override switch rotated to the ON position the state of the float is ignored and the switch is ON. This feature of the L26 level switch allows the switch to be overridden and can be used to prime pumps in tank filling applications. For example where the liquid level in a tank may be lower than the tanks draw off low level control switch would normally allow.

When operating the override switch, ensure it is fully in either the ON or AUTO position. The switch may not function correctly with the override partially rotated.

TYPICAL TANK APPLICATION WITH THE FLOAT SWITCH SCREWED INTO A 25MM (1 inch) B.S.P. SOCKET FIXED TO THE SIDE OF THE TANK.



## MAINTENANCE

This level switch is a low maintenance device. If the L26 level switch is correctly installed and if the process fluid is compatible with the materials of construction of this switch, then a very long service life can be expected. Factors that may contribute to early failure of this device include excess temperature, excess pressure or electrical loads in excess of the switch's ratings. All of the components of this switch are available as spare parts.



Unit 3, 8 Hayden Court, Myaree WA 6154  
Phone (08) 9317 4322, Fax (08) 9317 4465  
[www.powercontrol.com.au](http://www.powercontrol.com.au)

## KELCO Engineering Pty Ltd

ABN 20 002 834 844

Head office and factory

9/9 Powells Road Brookvale 2100 NSW Australia

Phone: +61 2 9905 6425 Fax: +61 2 9905 6420

Email: [sales@kelco.com.au](mailto:sales@kelco.com.au) Web: [www.kelco.com.au](http://www.kelco.com.au)

©2008 Kelco Engineering Pty Ltd

**PLEASE NOTE:** Kelco Engineering Pty Ltd reserves the right to change the specification of this product without notice. Kelco Engineering Pty Ltd accepts no liability for personal injury or economic loss as a consequence of the use of this product. All rights reserved copyright Kelco Engineering Pty Ltd © 2008.