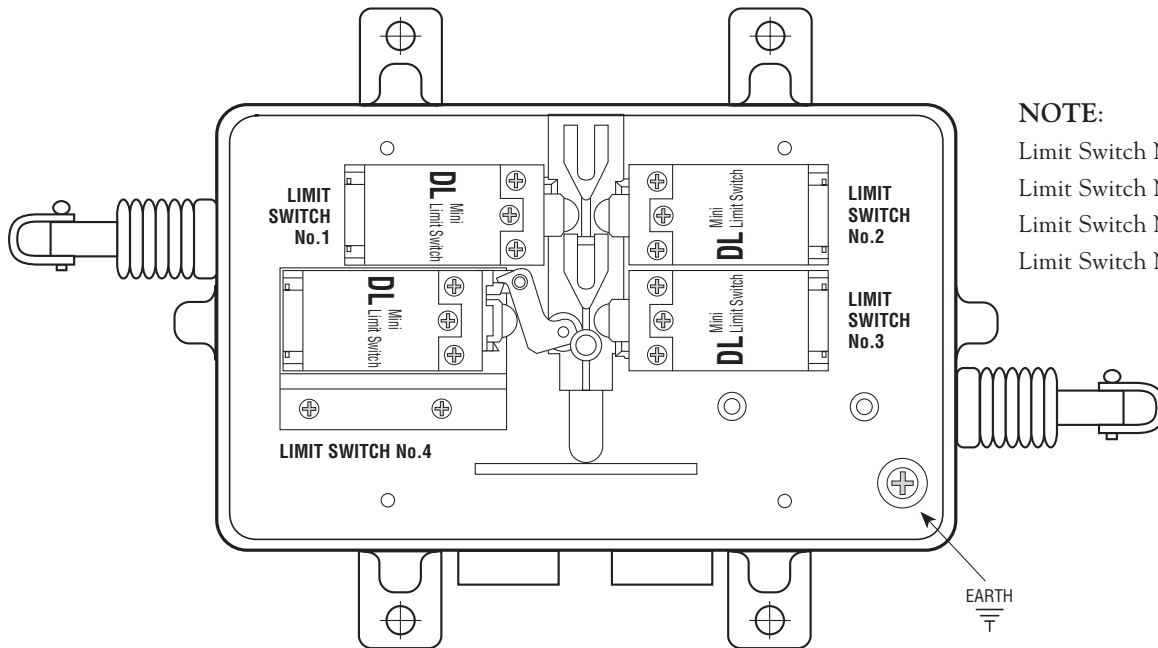




Unit 3, 8 Hayden Court, Myaree WA 6154  
Phone (08) 9317 4322, Fax (08) 9317 4465



**NOTE:**

- Limit Switch No. 1 .....is fitted in STP-MC / B / NR / IDIP
- Limit Switch No. 1 & 2 .....are fitted in STP-MC / B / NR / IDIP-2
- Limit Switch No. 1, 2, & 3 .....are fitted in STP-MC / B / NR / IDIP-3
- Limit Switch No. 1, 2, 3 & 4 .....are fitted in STP-MC / B / NR / IDIP-4

**LIMIT SWITCH RATINGS**

- Rating operational voltage (Ue).....AC250V
- Utilisation category .....AC15 2A/250V
- Rated insulation voltage (Ui).....AC250V
- Rated impulse withstand voltage (Uimp).....2.5KV
- Switching overvoltage .....2.5KV
- Conventional enclosed thermal current (Ithe) .....6A
- Conditional short circuit current.....100A
- Protective device .....10A Fuse
- Rated values are for one contact circuit of the switching element [13-14 (NO) or 11-12 (NC)].  
Changeover function was not evaluated.

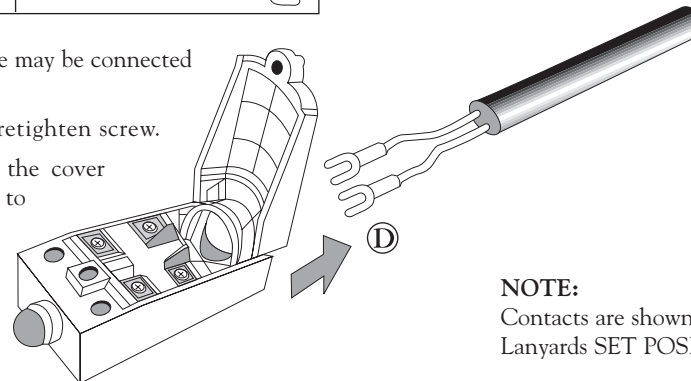
**CABLE TREATMENT:**

Ordinary treatment		Solderless terminal	
NC use	NO use	NC use	NO use

**WIRING METHOD:**

- After loosening the cover screw, open the cover.
- In case of taking the cover apart from switch body, turn it more than 90° degree and pull it to direction “D”.  
(In case of fixing the cover, operate conversely)
- Connect lead wire to terminal.
- Do not connect the wire to the terminal directly, use crimp terminals and tighten them to a torque of 0.39 to 0.59N-m. (When connecting NO side, use a crimp terminal with insulation cover)

- Only one lead wire may be connected to a terminal.
- Close cover and retighten screw.
- Don't tighten up the cover screw strongly (2 to 4kg-cm torque is appropriate).



**NOTE:**  
Contacts are shown in the Lanyards SET POSITION.

